



PARTS CATALOGUE

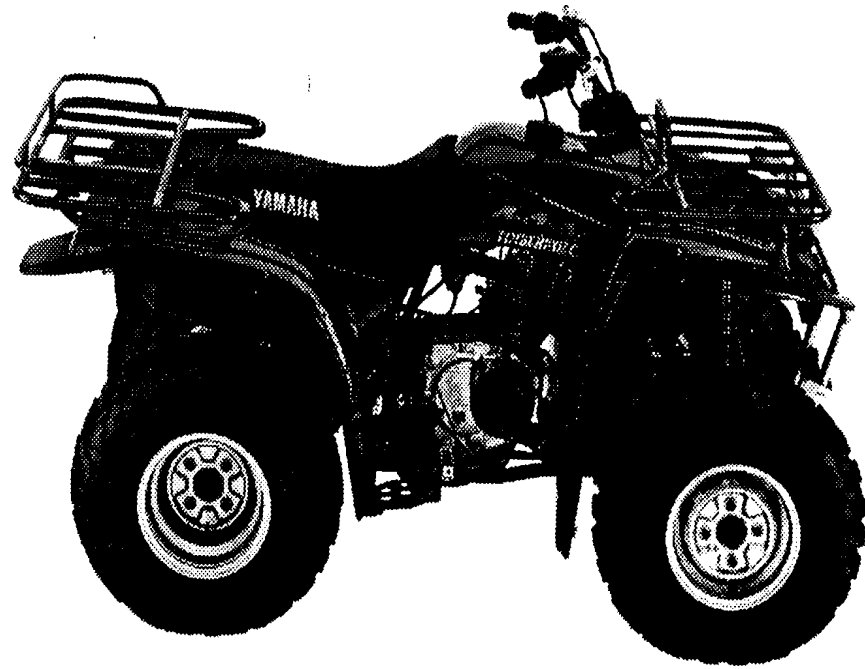
YFB250FWM (4KDL) U49

YFB250FW (4KDM) EUROPE

YF250BFW (4KDN) JAPAN

YAMAHA
GENUINE
Parts & Accessories

104KD-100E1



A3

FOREWORD

This Parts Catalogue is related to the parts for the model(s) in the below frame. When you are ordering replacement parts, please refer to this Parts Catalogue and quote both part numbers and part names correctly.

YFB250FWM(4KDL), YFB250FW(4KDM), YF250BFW(4KDN)

1. Modifications or additions which have been made after issue of the Parts Catalogue will be announced in the Yamaha Parts News. It is advisable that you make necessary corrections to the Parts Catalogue according to the Yamaha Parts News.

2. Abbreviations

The Following abbreviations are used in this Parts Catalogue.

"UR" Use specified parts number.

"UN" Use as many as needed.

"AP" Alternate Parts

"LM" Local Made (Parts need to be ordered locally)

"F#" Frame No. (Applicable machine No.)

3. Parts, which are to be supplied in an assembly, are listed with a dot(.) in front of the part name as shown below.

EXAMPLE

CARBURETOR ASSY

.JET, PILOT

.NOZZLE, MAIN

4. Number of component for assembly

The numeral appearing to the right of each component part indicates the quantity of parts for each assembly unit.

EXAMPLE

PART NO.	DESCRIPTION	Q'TY	REMARKS
2F5-83310-60	FRONT FLASHER LIGHT ASSY	2	
115-83311-60	.BULB (6V-18W)	1	
1M1-83309-60	.REFLECTOR	1	

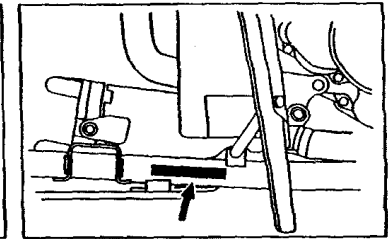
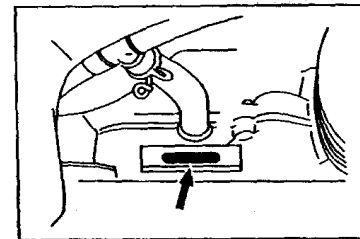
5. Applicable colors of graphics are represented in the "REMARKS" as shown below.

PART NO.	DESCRIPTION	Q'TY	REMARKS
2N4-24110-00-X5	.FUEL TANK COMP.	2	MXR
3J1-24240-10	.GRAPHIC, FUEL TANK	1	for MXR

6. Applicable Serial No.

Engine Serial No.

Frame Serial No.



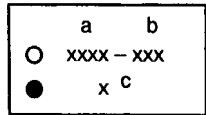
7. Note that the illustrations for reference in funding parts numbers, not to be used for assembling. When assembling, pleas use the applicable service manual.

8. The asterisk (*) before a reference number indicates modification items after the first edition.

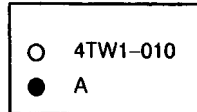
MODEL LABEL

(1) A label called "Model Label" is affixed in the location as indicated in (3) below.
When using this parts catalogue, please be sure to cross-refer the "model code - production code No." in the catalogue to the "model code - production code No." indicated on the Model Label affixed onto the product concerned.

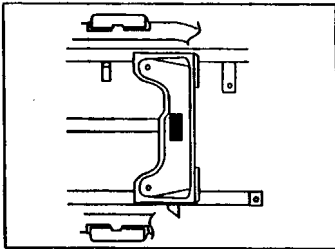
(2) "Model Label" Indication



a: Model Type Code
b: Production Code No.
c: Colouring Type



(3) Model Label Affixing Location



(4) Model Code - Production Code Number of Model Listed in This Parts Catalog

Model Code	Production Code No.	Country (destination)	Model Code	Production Code No.	Country (destination)
4KDL	020	U49			
	010	FRANCE			
4KDM	020	SWITZERLAND			
	030	ENGLAND			
4KDN	010	JAPAN			

(5) Colouring Information

Model Code	Colouring type code	Colour code	Colour Name	Abbreviation
4KDL 4KDM 4KDN	A	00K0	PASTEL DEEP GREEN	PDG

CONTENTS

ENGINE

CYLINDER HEAD	B2
CYLINDER	B4
CRANKSHAFT, PISTON	B5
VALVE	B7
CAMSHAFT, CHAIN	B8
OIL PUMP	B9
INTAKE	B10
CARBURETOR	B11
EXHAUST	B13
CRANKCASE	B14
CRANKCASE COVER 1	B15
STARTER	C3
STARTER CLUTCH	C4
CLUTCH	C5
TRANSMISSION	C6
MIDDLE DRIVE GEAR	C7
DRIVE SELECTOR	C11
SHIFT CAM, FORK	C13
SHIFT SHAFT	C14

CHASSIS

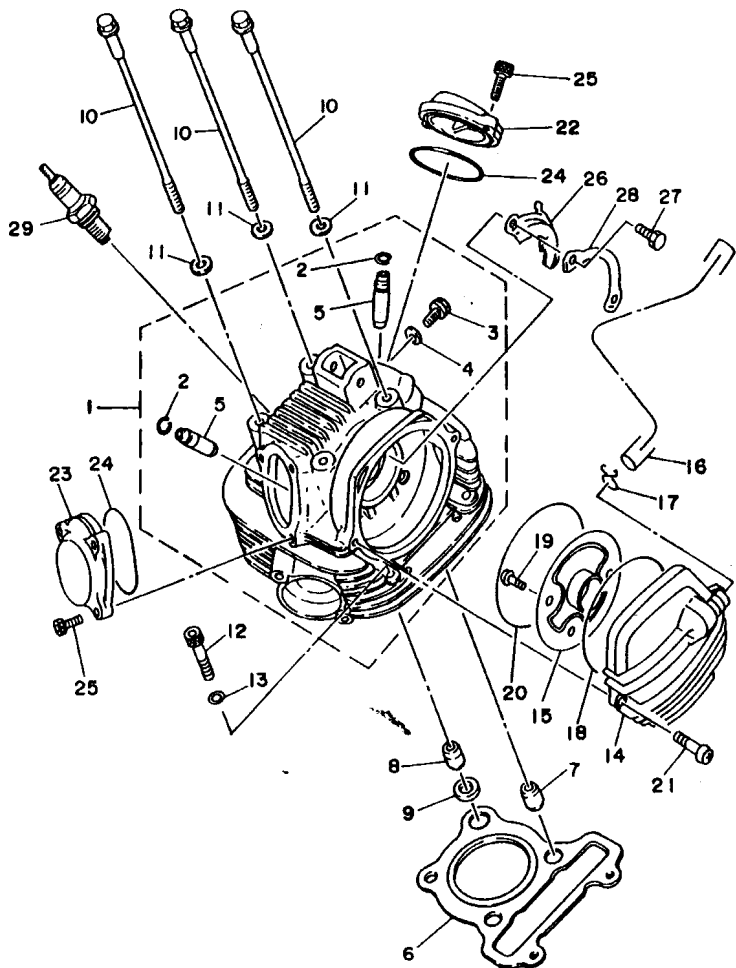
FRAME	C15
FRONT FENDER	D3
REAR FENDER	D4
SIDE COVER	D6
REAR ARM	D7
DRIVE SHAFT	D8
FRONT DIFFERENTIAL	D10
REAR SUSPENSION	D13

STEERING	D14
FRONT SUSPENSION, WHEEL	E2
FUEL TANK	E3
SEAT	E4
FRONT WHEEL	E5
FRONT BRAKE	E8
REAR WHEEL	E10
STEERING HANDLE, CABLE	E12
STAND, FOOTREST	E14
GUARD	E15
GENERATOR	F2
STARTING MOTOR	F3
HEADLIGHT	F4
TAILLIGHT	F5
HANDLE SWITCH, LEVER	F6
ELECTRICAL 1	F7
ELECTRICAL 2	F9
EMBLEM, LABEL 1	F10
EMBLEM, LABEL 2	F11
EMBLEM, LABEL 3	F12

INDEX

NUMERICAL INDEX	M1
-----------------------	----

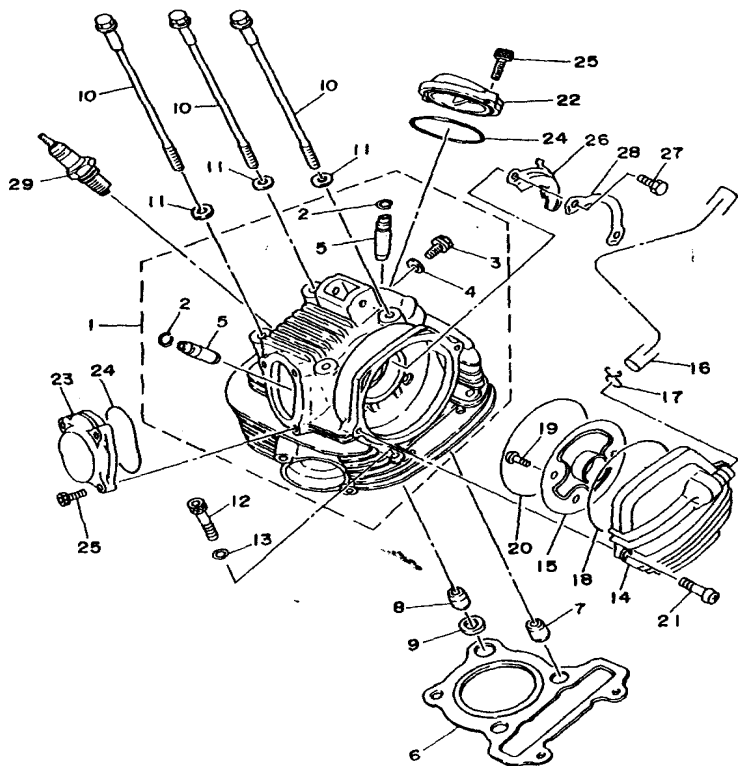
FIG. 1 CYLINDER HEAD



4BDJ100-7010

REF. NO.	PART NO.	DESCRIPTION	U49	FRA	CHE	GBR	JPN	REMARKS
1	4BD-11101-02	CYLINDER HEAD ASSY	1	1	1	1	1	
2	93440-10085	CIRCLIP	2	2	2	2	2	
3	90153-06029	SCREW, HEXAGON	1	1	1	1	1	
4	90430-06014	GASKET	1	1	1	1	1	
5	5H0-11133-11	GUIDE, INTAKE VALVE	2	2	2	2	2	
6	3GH-11181-00	GASKET, CYLINDER HEAD 1	1	1	1	1	1	
7	99530-14016	PIN, DOWEL	2	2	2	2	2	
8	93612-16254	PIN, DOWEL	1	1	1	1	1	
9	90430-12186	GASKET	1	1	1	1	1	
10	90105-08195	BOLT, WASHER BASED	4	4	4	4	4	
11	90201-08609	WASHER, PLATE	4	4	4	4	4	
12	91317-08045	BOLT	2	2	2	2	2	
13	90201-087G0	WASHER, PLATE	2	2	2	2	2	
14	4BD-11160-00	BREATHER ASSY	1	1	1	1	1	
15	4KB-11165-00	PLATE, BREATHER	1	1	1	1	1	
16	4BD-11168-00	PIPE, BREATHER 1	1	1	1	1	1	
17	90467-14015	CLIP	1	1	1	1	1	
18	93210-92448	O-RING	1	1	1	1	1	
19	92017-08012	BOLT, BUTTON HEAD	2	2	2	2	2	
20	93211-05471	O-RING	1	1	1	1	1	
21	98507-06020	SCREW, PAN HEAD	2	2	2	2	2	
22	3GC-11186-00	COVER, CYLINDER HEAD SIDE 2	1	1	1	1	1	
23	3GC-11187-00	COVER, CYLINDER HEAD SIDE 3	1	1	1	1	1	
24	93210-57634	O-RING	2	2	2	2	2	
25	91317-06018	BOLT	5	5	5	5	5	
26	5H0-1111F-00	PLATE	1	1	1	1	1	
27	97007-06012	BOLT	2	2	2	2	2	

B2



4BDJ100-7010

FIG. 1 CYLINDER HEAD

REF. NO.	PART NO.	DESCRIPTION	UK	FRA	CHE	GBR	JPN	REMARKS
28	90215-06184	WASHER, LOCK	1	1	1	1	1	
29	94701-00189	PLUG, SPARK (NGK D7EA)	1					UR
	94701-00178	PLUG, SPARK (ND X22ES-U)	1					UR
	94701-00345	PLUG, SPARK (NGK DR7EA)		1	1	1	1	WITH RESISTER

B3

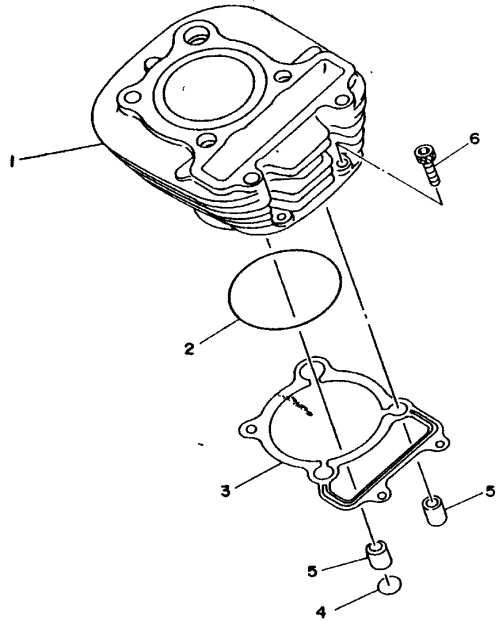
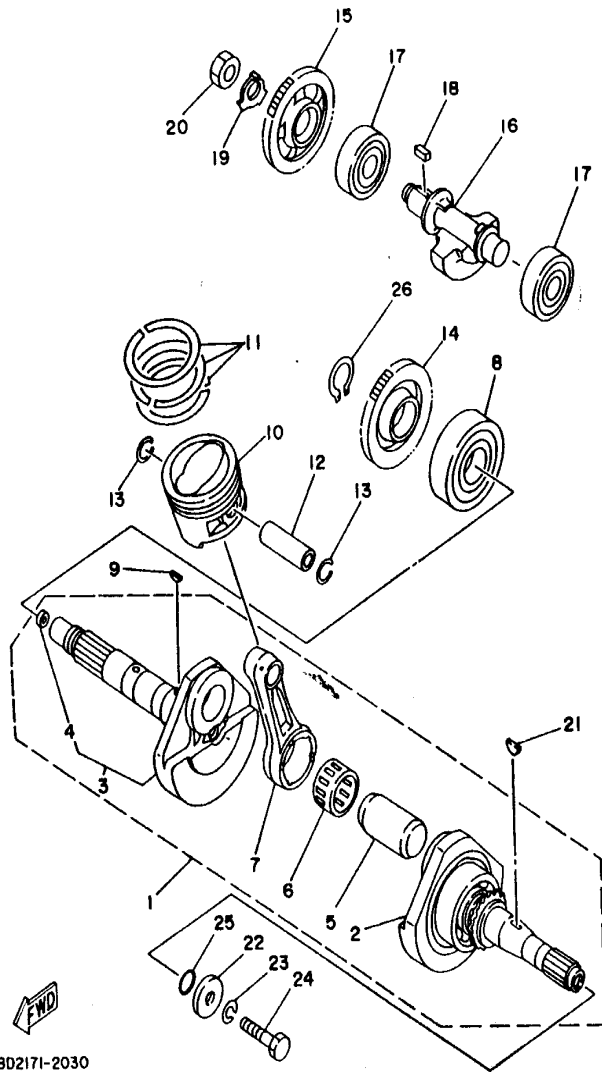


FIG. 2 CYLINDER

REF. NO.	PART NO.	DESCRIPTION	USA	FRA	CHE	GBR	JPN	REMARKS
1	4BD-11310-01	CYLINDER	1	1	1	1	1	
2	93210-72529	O-RING	1	1	1	1	1	
3	4BD-11351-00	GASKET, CYLINDER	1	1	1	1	1	
4	93210-13361	O-RING	1	1	1	1	1	
5	99530-14016	PIN, DOWEL	2	2	2	2	2	
6	91317-00025	BOLT	2	2	2	2	2	


4BD1110-2020

B4

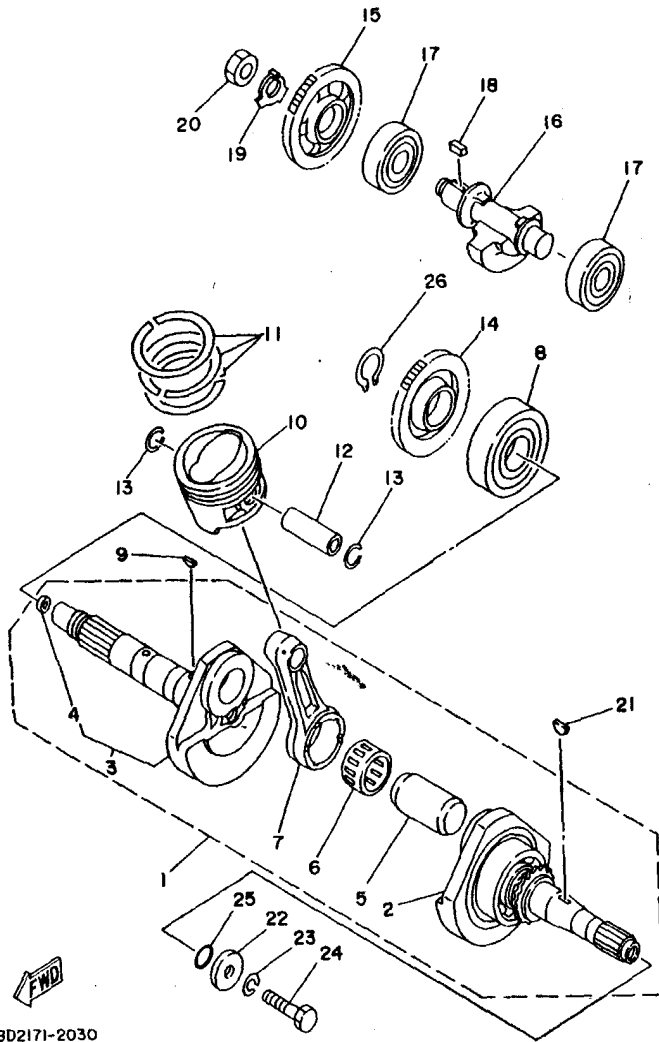


4B02171-2030

REF. NO.	PART NO.	DESCRIPTION	J49	FRA	CHE	GBR	JPN	REMARKS
1	29U-11400-01	CRANKSHAFT ASSY	1	1	1	1	1	
2	29U-W1141-00	.CRANK 1	1	1	1	1	1	
3	29U-11422-01	.CRANK 2	1	1	1	1	1	
4	90331-09041	.PLUG	1	1	1	1	1	
5	5H0-11681-00	.PIN, CRANK 1	1	1	1	1	1	
6	93310-530J3	.BEARING	1	1	1	1	1	
7	29U-11651-00	.ROD, CONNECTING	1	1	1	1	1	
8	93306-30611	BEARING	1	1	1	1	1	
9	90280-03017	KEY, WOODRUFF	1	1	1	1	1	
10	4BD-11631-00-Y0	PISTON (STD)	1	1	1	1	1	
	4BD-11636-00	PISTON (0.50MM O/S)	1	1	1	1	1	AP
	4BD-11638-00	PISTON (1.00MM O/S)	1	1	1	1	1	AP
11	4BD-11610-00	PISTON RING SET (STD)	1	1	1	1	1	
	4BD-11610-20	PISTON RING SET (0.50MM O/S)	1	1	1	1	1	AP
	4BD-11610-40	PISTON RING SET (1.00MM O/S)	1	1	1	1	1	AP
12	29U-11633-00	PIN, PISTON	1	1	1	1	1	
13	93450-17044	CIRCLIP	2	2	2	2	2	
14	2HT-11536-00	GEAR, DRIVE	1	1	1	1	1	
15	5H0-11531-00	GEAR, BALANCE WEIGHT (38T)	1	1	1	1	1	
16	4BD-11454-00	WEIGHT 1	1	1	1	1	1	
17	93306-30427	BEARING	2	2	2	2	2	
18	90282-05013	KEY, STRAIGHT	1	1	1	1	1	
19	90215-14205	WASHER, LOCK	1	1	1	1	1	
20	90170-14284	NUT	1	1	1	1	1	
21	90280-05048	KEY, WOODRUFF	1	1	1	1	1	
22	90201-107F8	WASHER, PLATE	1	1	1	1	1	
23	92907-10100	WASHER, SPRING	1	1	1	1	1	

B5

FIG. 3 CRANKSHAFT. PISTON

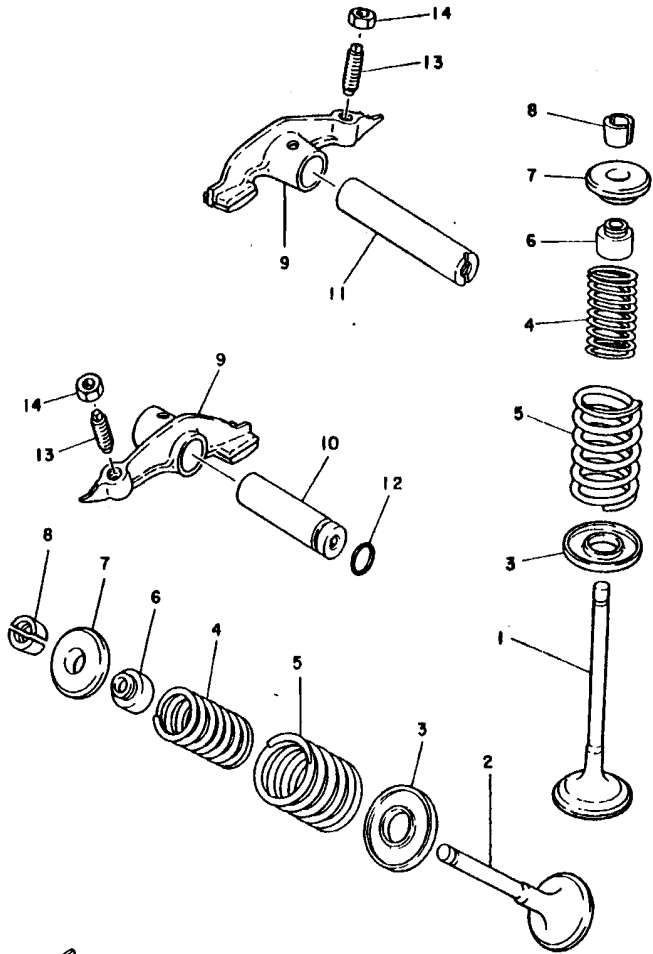


FWD
4BD2171-2030

REF. NO.	PART NO.	DESCRIPTION	J49	FPA	CHE	GBR	UPN	REMARKS
24	90101-10568	BOLT	1	1	1	1	1	
25	93210-18290	O-RING	1	1	1	1	1	
26	99009-26400	CIRCLIP	1	1	1	1	1	

B6

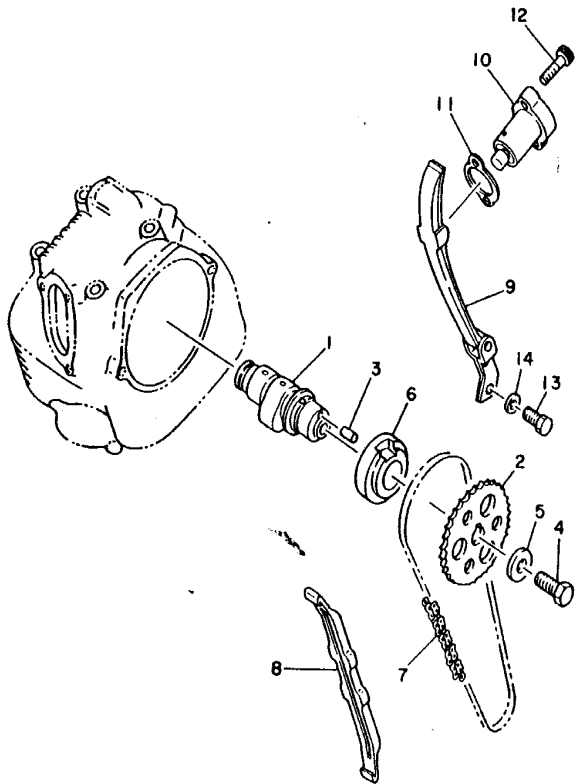
FIG. 4 VALVE



REF. NO.	PART NO.	DESCRIPTION	U49	FRA	CHE	GBR	JPN	REMARKS
1	5H0-12111-01	VALVE, INTAKE	1	1	1	1	1	
2	5H0-12121-01	VALVE, EXHAUST	1	1	1	1	1	
3	4G0-12116-01	SEAT, VALVE SPRING	2	2	2	2	2	
4	4G0-12113-01	SPRING, VALVE INNER	2	2	2	2	2	YELLOW
5	4G0-12114-01	SPRING, VALVE OUTER	2	2	2	2	2	YELLOW
6	5H0-12119-00	SEAL, VALVE STEM	2	2	2	2	2	
7	4G0-12117-00	RETAINER, VALVE SPRING	2	2	2	2	2	
8	4G0-12118-00	COTTER, VALVE	4	4	4	4	4	
9	29U-12151-00	ARM, VALVE ROCKER	2	2	2	2	2	
10	5H0-12156-00	SHAFT, ROCKER 2	1	1	1	1	1	
11	5H0-12146-00	SHAFT, ROCKER	1	1	1	1	1	
12	93210-09165	O-RING	1	1	1	1	1	
13	2NX-12159-00	SCREW, VALVE ADJUSTING	2	2	2	2	2	
14	90170-06128	NUT	2	2	2	2	2	

29U110-5040

FIG. 5 CAMSHAFT. CHAIN



REF. NO.	PART NO.	DESCRIPTION						REMARKS
			USA	FRA	CHE	GBR	JPN	
1	1KH-12171-00	CAMSHAFT 1	1				1	
	5H0-12171-02	CAMSHAFT 1		1	1	1		
2	2LN-12176-00	SPROCKET, CAM CHAIN (40T)	1				1	
	5H0-12176-00	SPROCKET, CAM CHAIN (40T)		1	1	1		
3	93604-10011	PIN, DOWEL	1	1	1	1	1	
4	90101-10303	BOLT	1	1	1	1	1	
5	90201-10591	WASHER, PLATE	1	1	1	1	1	
6	90387-251T0	COLLAR	1	1	1	1	1	
7	94580-41104	CHAIN	1	1	1	1	1	
8	5H0-12231-00	GUIDE, STOPPER 1	1	1	1	1	1	
9	5N0-12241-00	GUIDE, STOPPER 2	1	1	1	1	1	
10	3GC-12210-10	TENSIONER ASSY, CAM CHAIN	1	1	1	1	1	
11	4FM-12213-00	GASKET, TENSIONER CASE	1	1	1	1	1	
12	95027-06025	BOLT, FLANGE	2	2	2	2	2	
13	97027-06016	BOLT	2	2	2	2	2	
14	92907-06600	WASHER, PLATE	2	2	2	2	2	



29U110-5050

B8

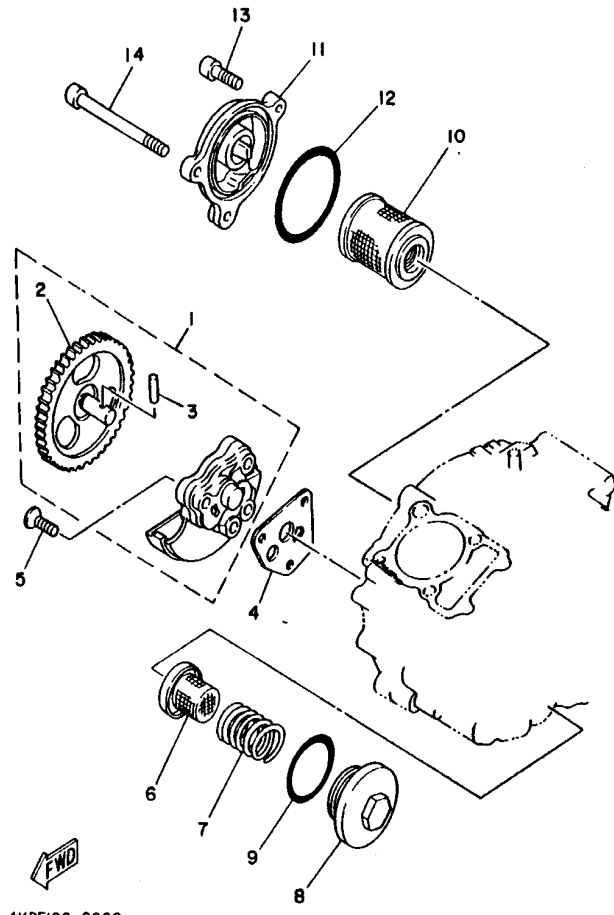
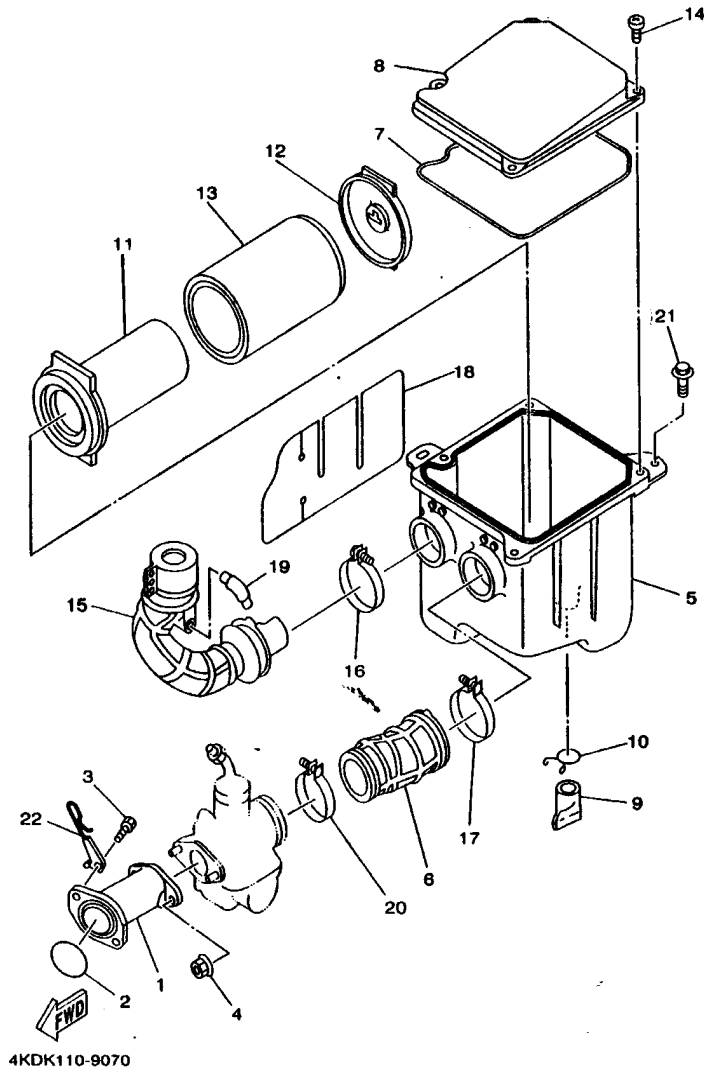


FIG. 6 OIL PUMP

REF. NO.	PART NO.	DESCRIPTION	U49	FRA	CHE	GBR	JPN	REMARKS
1	2HT-13300-00	OIL PUMP ASSY	1	1	1	1	1	
2	21V-13326-00	.GEAR, PUMP DRIVEN 2 (41T)	1	1	1	1	1	
3	93603-12030	.PIN, DOWEL	1	1	1	1	1	
4	4BE-13329-00	GASKET, PUMP COVER	1	1	1	1	1	
5	98707-06030	SCREW, FLAT HEAD	3	3	3	3	3	
6	51Y-13411-00	STRAINER, OIL	1	1	1	1	1	
7	90501-18576	SPRING, COMPRESSION	1	1	1	1	1	
8	5H0-15351-00	PLUG, DRAIN	1	1	1	1	1	
9	93210-347A1	O-RING	1	1	1	1	1	
10	5H0-13440-00	ELEMENT ASSY, OIL CLEANER	1	1	1	1	1	
11	15A-13447-00	COVER, OIL ELEMENT	1	1	1	1	1	
12	93210-54175	O-RING	1	1	1	1	1	
13	91317-06020	BOLT	2	2	2	2	2	
14	91317-06115	BOLT	1	1	1	1	1	

FIG. 7 INTAKE



4KDK110-9070

REF. NO.	PART NO.	DESCRIPTION	U49	FRA	CHE	GBR	JPN	REMARKS
1	29U-13586-01	JOINT, CARBURETOR 1	1	1	1	1	1	
2	93210-35537	O-RING	1	1	1	1	1	
3	91317-06020	BOLT	2	2	2	2	2	
4	95707-06500	NUT, FLANGE	2	2	2	2	2	
5	3GH-14411-01	CASE, AIR CLEANER 1	1	1	1	1	1	
6	4KD-14453-00	JOINT, AIR CLEANER 1	1	1	1	1	1	
7	5H0-14452-00	SEAL	1	1	1	1	1	
8	21V-14412-01	CAP, CLEANER CASE 1	1	1	1	1	1	
9	59V-14457-00	SEAL	1	1	1	1	1	
10	90467-22080	CLIP	1	1	1	1	1	
11	1YW-14458-00	GUIDE	1	1	1	1	1	
12	1UY-14468-00	PLATE, ELEMENT FITTING	1	1	1	1	1	
13	1YW-14451-00	ELEMENT, AIR CLEANER	1	1	1	1	1	
14	98507-05016	SCREW, PAN HEAD	4	4	4	4	4	
15	4BD-14437-00	DUCT	1	1	1	1	1	
16	90460-58124	CLAMP, HOSE	1	1	1	1	1	
17	90460-58105	CLAMP, HOSE	1	1	1	1	1	
18	4BD-1442F-00	PROTECTOR	1	1	1	1	1	
19	31A-14419-00	PIPE	1	1	1	1	1	
20	90450-45075	HOSE CLAMP ASSY	1	1	1	1	1	
21	90119-06096	BOLT, WITH WASHER	2	2	2	2	2	
22	4BD-2631F-00	GUIDE	1	1	1	1	1	

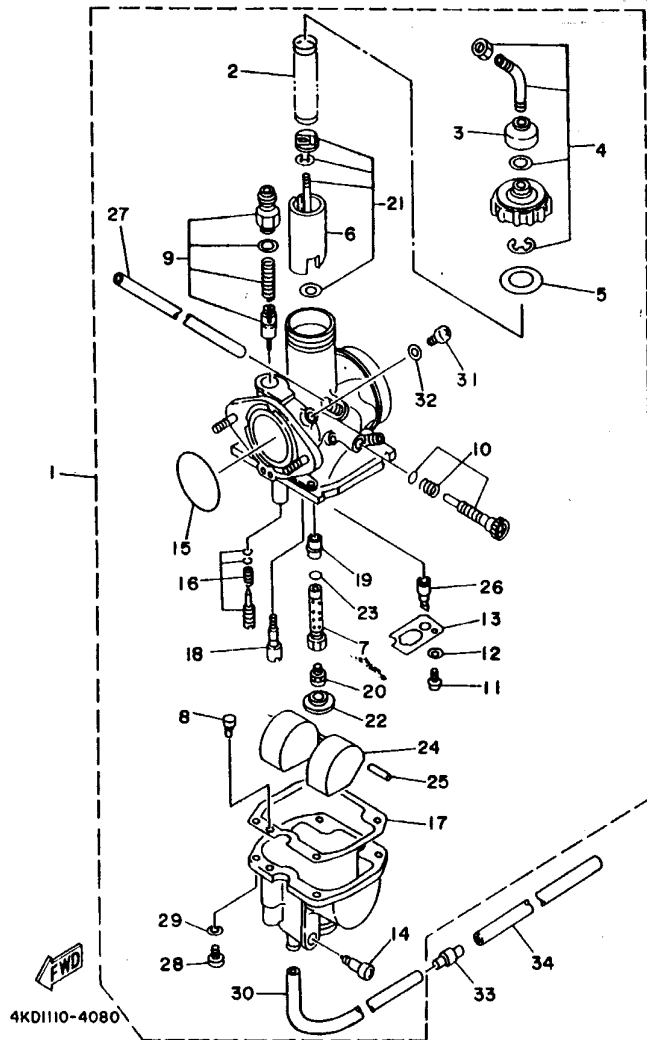


FIG. 8 CARBURETOR

REF. NO.	PART NO.	DESCRIPTION	USA	FRA	CHE	GBR	JPN	REMARKS
1	4KD-14101-02	CARBURETOR ASSY 1	1				1	
	4KD-14101-13	CARBURETOR ASSY 1		1	1	1		
2	4GA-14131-00	.SPRING, THROTTLE VALVE	1	1	1	1	1	
3	1M1-14169-00	.CAP	1	1	1	1	1	
4	29U-14106-00	.CABLE ADJUST SCREW SET	1	1	1	1	1	
5	4U5-14126-00	.GASKET	1	1	1	1	1	
6	3GH-14112-35	.VALVE, THROTTLE 1	1	1	1	1	1	
7	21V-14148-00	.JET, HOLDER	1	1	1	1	1	
8	18M-1414B-10	.JET, POWER (#50)	1	1	1	1	1	
9	21V-1410A-00	.STARTER SET	1	1	1	1	1	
10	18G-14103-00	.THROTTLE SCREW SET	1	1	1	1	1	
11	98502-03008	.SCREW, PAN HEAD	1				1	
	98507-03008	.SCREW, PAN HEAD		1	1	1		
12	92902-03100	.WASHER	1				1	
	92907-03100	.WASHER		1	1	1		
13	59V-14146-00	.PLATE	1	1	1	1	1	
14	12R-14191-00	.PLUG, DRAIN	1	1	1	1	1	
15	29U-14147-00	.O-RING	1	1	1	1	1	
16	21V-14105-00	.PILOT SCREW SET	1	1	1	1	1	
17	24W-14184-00	.GASKET, FLOAT CHAMBER	1	1	1	1	1	
18	22F-14142-20	.JET, PILOT (# 20)	1	1	1	1	1	
19	21V-14141-34	.NOZZLE, MAIN	1	1	1	1	1	
20	620-14231-17	.JET, MAIN (# 85)	1				1	
	620-1423A-68	.JET, MAIN (#87.5)		1	1	1		
21	3GH-1490J-00	.NEEDLE SET	1				1	
	4BD-1490J-00	.NEEDLE SET		1	1	1		
22	5V7-14153-00	.WASHER, MAIN JET	1	1	1	1	1	

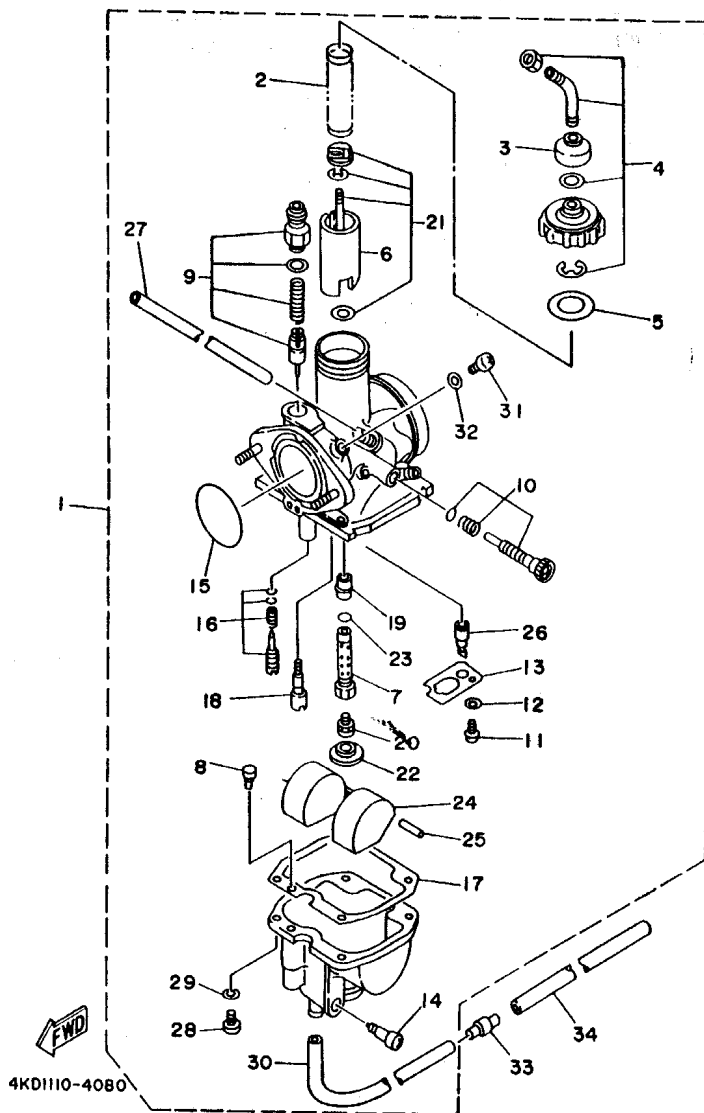


FIG. 8 CARBURETOR

REF. NO.	PART NO.	DESCRIPTION	U49	FRA	CHE	GBR	JPN	REMARKS
23	583-14561-00	.O-RING	1	1	1	1	1	
24	21V-14185-00	.FLOAT	1	1	1	1	1	
25	127-14186-00	.PIN, FLOAT	1	1	1	1	1	
26	21V-14190-18	.NEEDLE VALVE ASSY	1	1	1	1	1	
27	4KD-14197-10	.PIPE	1	1	1	1	1	
28	98502-04014	.SCREW, PAN HEAD	4				4	
	98507-04014	.SCREW, PAN HEAD		4	4	4		
29	92902-04100	.WASHER, SPRING	4				4	
	92907-04100	.WASHER, SPRING		4	4	4		
30	4KD-14193-00	.PIPE	1	1	1	1	1	
31	92502-06008	.SCREW, PAN HEAD	1	1	1	1	1	
32	59V-14962-00	.WASHER	1	1	1	1	1	
33	24W-14193-00	PIPE	1	1	1	1	1	
34	91A20-07010	TUBE, FLEXIBLE VINYL	1	1	1	1	1	

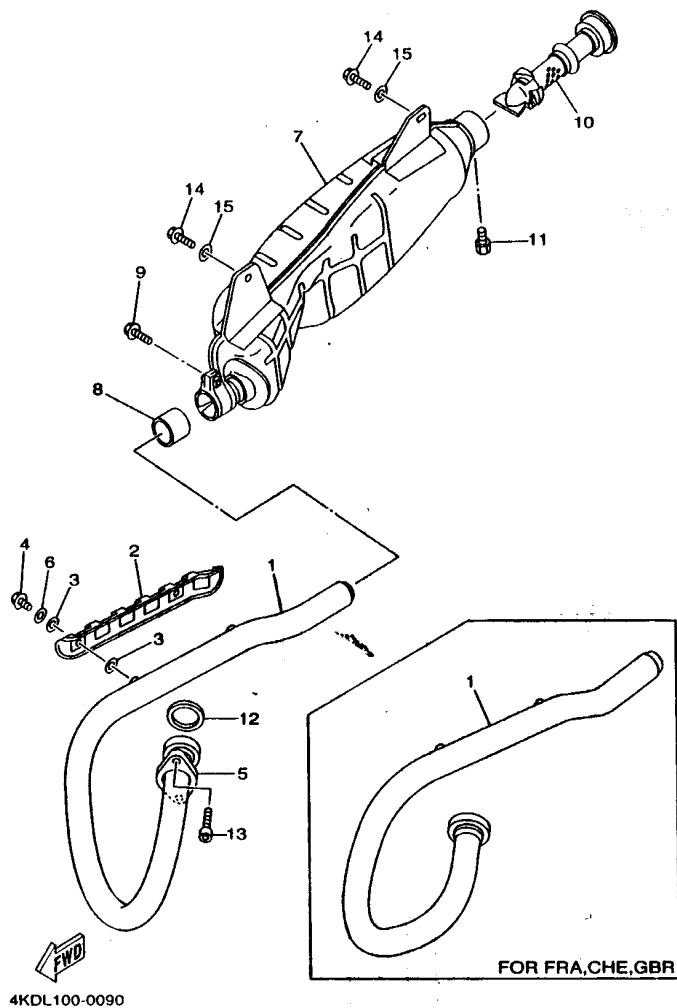
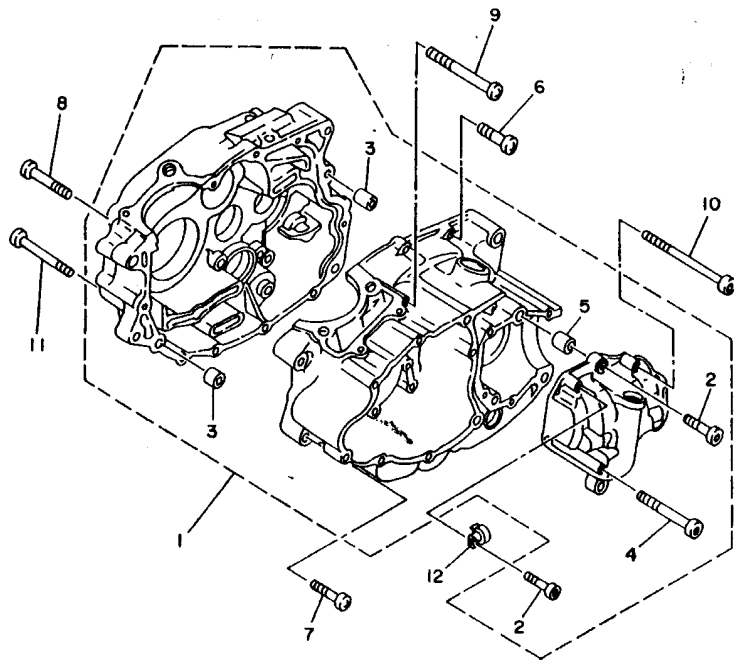


FIG. 9 EXHAUST

REF. NO.	PART NO.	DESCRIPTION	J49	FRA	CHE	GBR	JPN	REMARKS
1	4KD-14611-00	PIPE, EXHAUST 1	1				1	
	4KD-14611-10	PIPE, EXHAUST 1		1	1	1		
2	3Y1-14628-00	PROTECTOR, EXHAUST PIPE	1	1	1	1	1	
3	4BD-14766-00	WASHER, PROTECTOR	4	4	4	4	4	
4	95027-06008	BOLT, FLANGE	2	2	2	2	2	
5	5H0-14612-00	NUT, RING	1	1	1	1	1	
6	90206-06090	WASHER, WAVE	2	2	2	2	2	
7	4BD-14711-00	MUFFLER 1	1	1	1	1	1	
8	3YF-14714-00	GASKET, MUFFLER	1	1	1	1	1	
9	95027-08025	BOLT, FLANGE	1	1	1	1	1	
10	21V-14752-00	PIPE, OUTLET	1	1	1	1	1	
11	97007-06008	BOLT	1	1	1	1	1	
12	4BE-14613-00	GASKET, EXHAUST PIPE	1	1	1	1	1	
13	91317-06020	BOLT	2	2	2	2	2	
14	95817-08020	BOLT, FLANGE	2	2	2	2	2	
15	90201-08326	WASHER, PLATE	2	2	2	2	2	

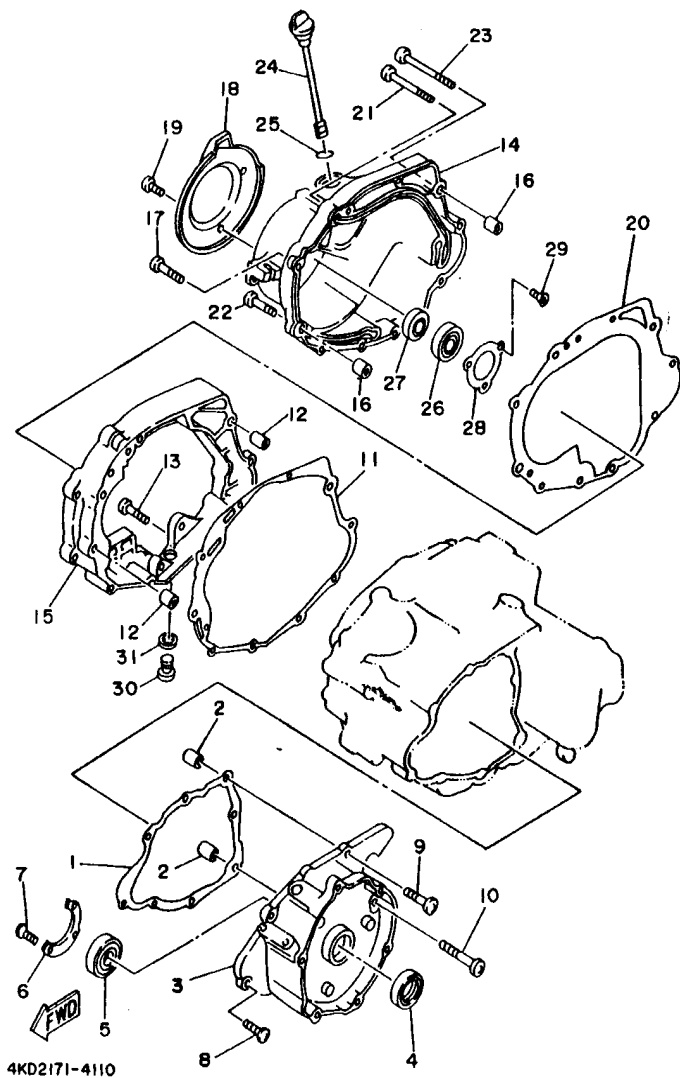
FIG. 10 CRANKCASE



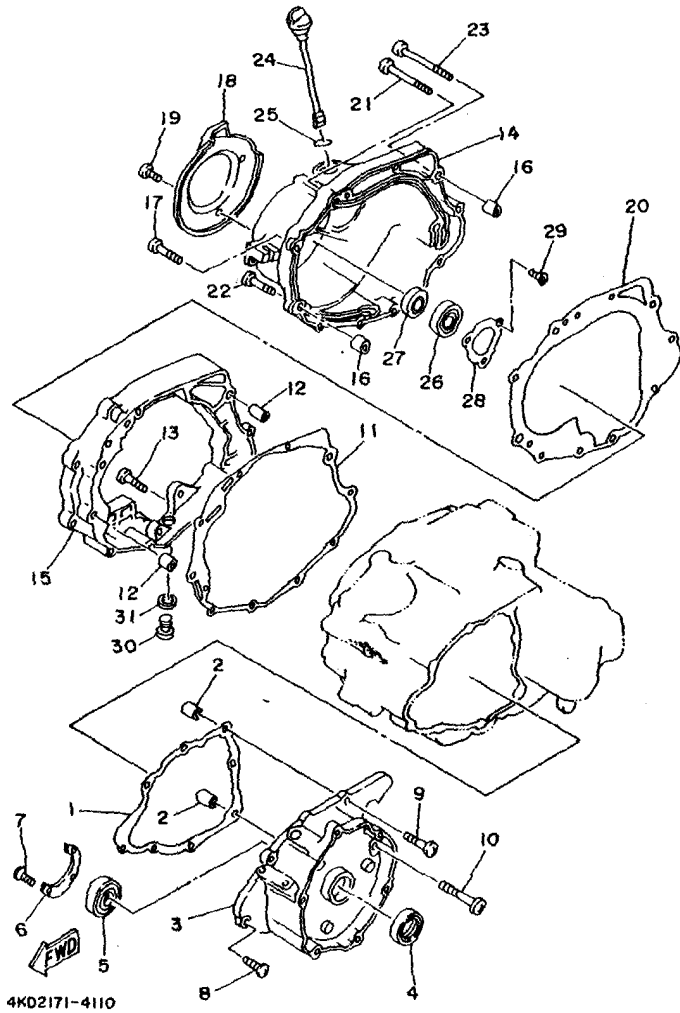

4KDB100-7100

REF. NO.	PART NO.	DESCRIPTION	U49	FRA	CHE	GBR	JPN	REMARKS
1	4BD-15100-12	CRANKCASE ASSY	1	1	1	1	1	
2	91317-06035	.BOLT	4	4	4	4	4	
3	99530-10014	.PIN, DOWEL	2	2	2	2	2	
4	91317-06085	.BOLT	1	1	1	1	1	
5	99530-12016	.PIN, DOWEL	2	2	2	2	2	
6	98507-06030	SCREW, PAN HEAD	7	7	7	7	7	
7	98507-06040	SCREW, PAN HEAD	1	1	1	1	1	
8	98507-06060	SCREW, PAN HEAD	1	1	1	1	1	
9	98507-06085	SCREW, PAN HEAD	1	1	1	1	1	
10	91317-06160	BOLT	1	1	1	1	1	
11	98507-06075	SCREW, PAN HEAD	1	1	1	1	1	
12	90465-08122	CLAMP	1	1	1	1	1	

FIG. 11 CRANKCASE COVER 1



REF. NO.	PART NO.	DESCRIPTION	U49	FRA	CHE	GBR	JPN	REMARKS
1	4BD-15451-01	GASKET, CRANKCASE COVER 1	1	1	1	1	1	
2	99530-12016	PIN, DOWEL	2	2	2	2	2	
3	4BD-15787-10	ADAPTOR	1	1	1	1	1	
4	93103-28141	OIL SEAL	1	1	1	1	1	
5	93306-07801	BEARING	1	1	1	1	1	
6	21V-15719-00	WASHER, THRUST	1	1	1	1	1	
7	98707-05016	SCREW, FLAT HEAD	3	3	3	3	3	
8	98507-06025	SCREW, PAN HEAD	5	5	5	5	5	
9	98507-06040	SCREW, PAN HEAD	2	2	2	2	2	
10	98507-06060	SCREW, PAN HEAD	1	1	1	1	1	
11	4BD-15462-00	GASKET, CRANKCASE COVER 3	1	1	1	1	1	
12	99530-12016	PIN, DOWEL	2	2	2	2	2	
13	98507-06040	SCREW, PAN HEAD	3	3	3	3	3	
14	4BD-15431-02	COVER, CRANKCASE 3	1	1	1	1	1	
15	4KD-15317-00	SPACER, ENGINE MOUNT	1	1	1	1	1	
16	99530-12016	PIN, DOWEL	2	2	2	2	2	
17	98507-06040	SCREW, PAN HEAD	2	2	2	2	2	
18	21V-15499-00	PROTECTOR, COVER	1	1	1	1	1	
19	98907-06014	SCREW, BIND	3	3	3	3	3	
20	4BD-15463-01	GASKET, CARBURETOR COVER 2	1	1	1	1	1	
21	98507-06070	SCREW, PAN HEAD	5	5	5	5	5	
22	98507-06040	SCREW, PAN HEAD	1	1	1	1	1	
23	98507-06080	SCREW, PAN HEAD	1	1	1	1	1	
24	1UY-15362-01	PLUG, OIL LEVEL	1	1	1	1	1	
25	93210-19123	O-RING	1	1	1	1	1	
26	93306-20313	BEARING (B6203C4)	1	1	1	1	1	
27	93101-17113	OIL SEAL	1	1	1	1	1	



4K02171-4110

FIG. 11 CRANKCASE COVER 1

REF. NO.	PART NO.	DESCRIPTION	U49	FRA	CHE	GBR	JPN	REMARKS
28	21V-15381-00	PLATE, BEARING COVER	1	1	1	1	1	
29	98707-06018	SCREW, FLAT HEAD	3	3	3	3	3	
30	90340-14046	PLUG, STRAIGHT SCREW	1	1	1	1	1	
31	214-11198-01	GASKET	1	1	1	1	1	

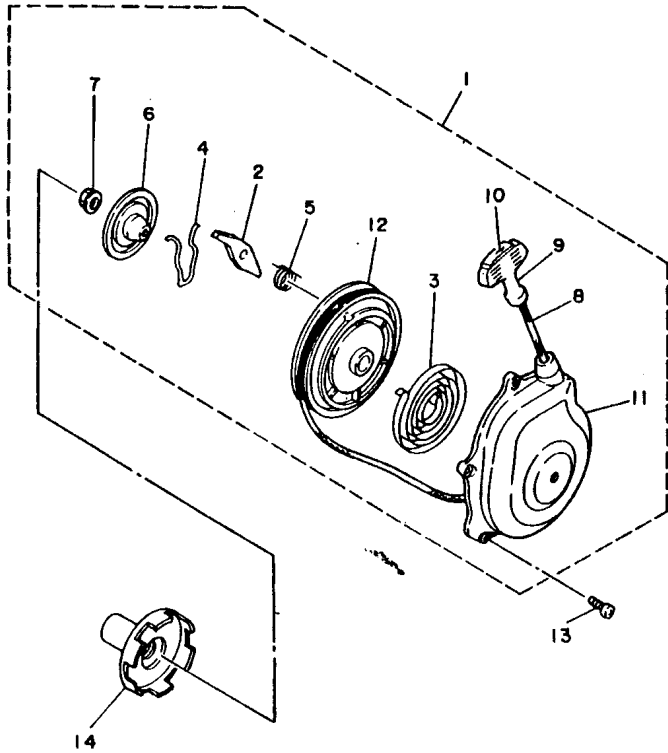


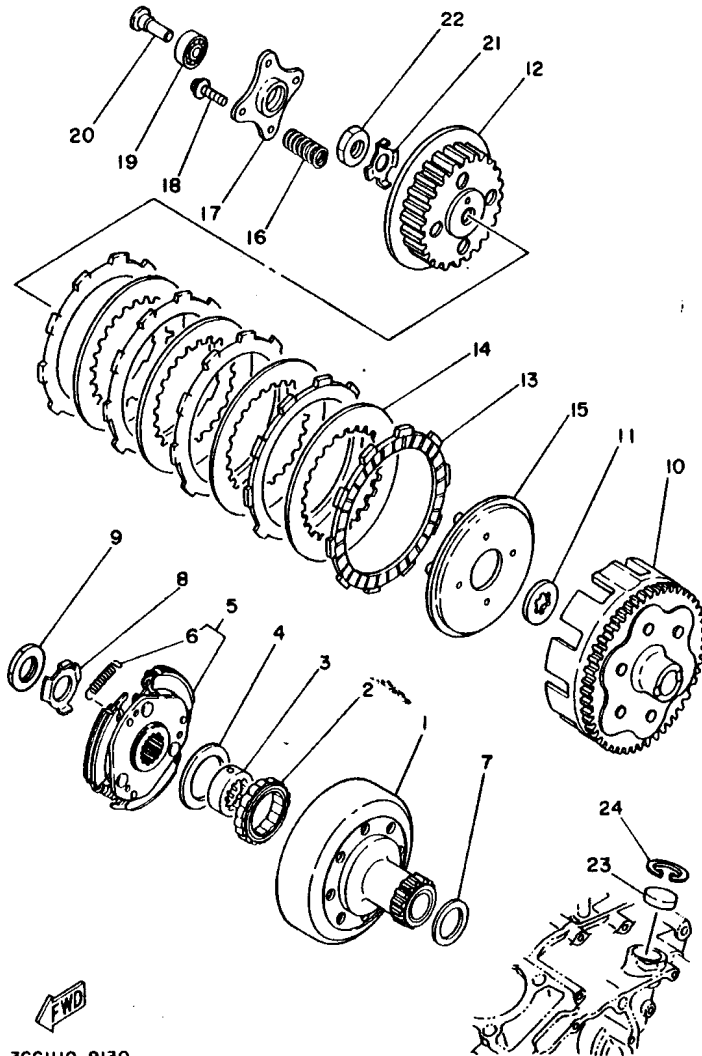
FIG. 12 STARTER

REF. NO.	PART NO.	DESCRIPTION	USA	FRA	CHE	GBR	IPN	REMARKS
1	24W-15710-00	STARTER ASSY	1	1	1	1	1	
2	21V-15741-00	.PAWL, DRIVE	1	1	1	1	1	
3	21V-15713-00	.SPRING, STARTER	1	1	1	1	1	
4	21V-15715-00	.SPRING, FRICTION	1	1	1	1	1	
5	21V-15767-00	.SPRING	1	1	1	1	1	
6	21V-15716-00	.PLATE, DRIVE	1	1	1	1	1	
7	95702-06100	.NUT, FLANGE	1	1	1	1	1	
8	21V-15751-00	.WIRE, STARTER	1	1	1	1	1	
9	3X3-15755-00	.HANDLE, STARTER	1	1	1	1	1	
10	21V-15779-00	.COVER	1	1	1	1	1	
11	24W-15711-00	.CASE, STARTER	1	1	1	1	1	
12	24W-15714-00	.DRUM, SHEAVE	1	1	1	1	1	
13	98507-06020	SCREW, PAN HEAD	6	6	6	6	6	
14	21V-15723-00	PULLEY, STARTER	1	1	1	1	1	



4KD2171-4120

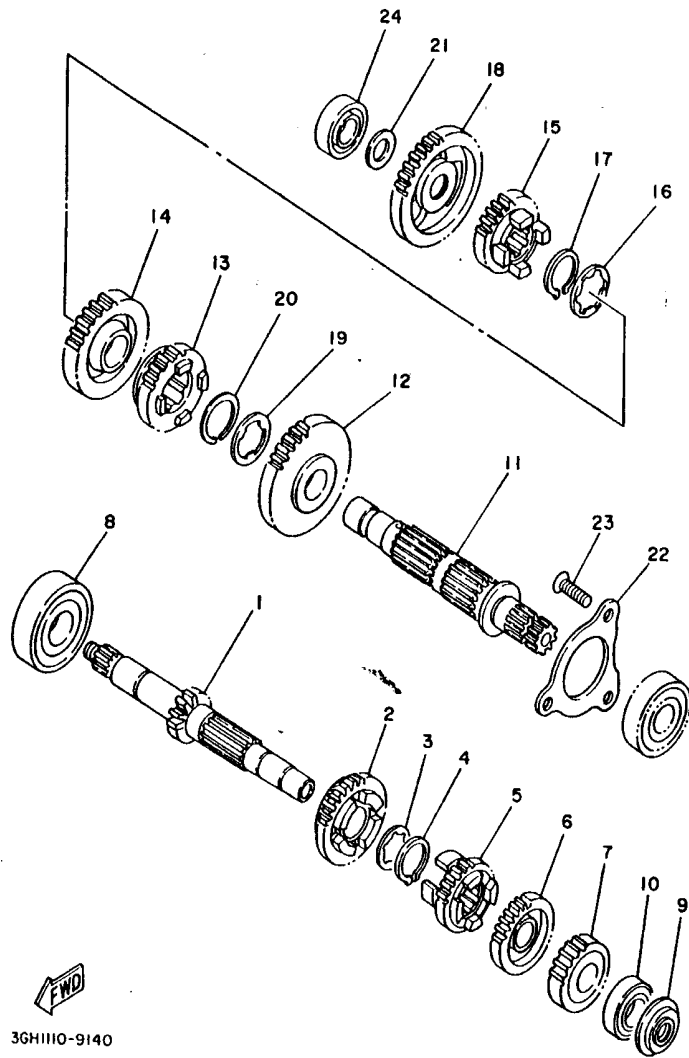
FIG. 14 CLUTCH



36C1110-9130

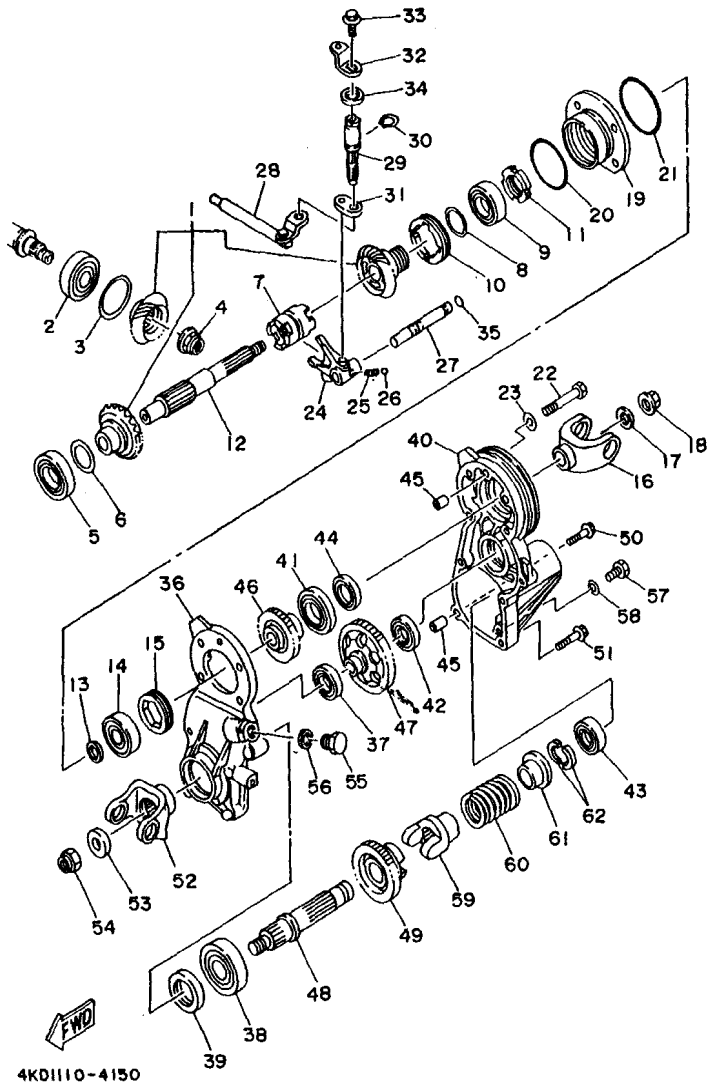
REF. NO.	PART NO.	DESCRIPTION	U49	FRA	CHE	GBR	JPN	REMARKS
1	3GC-16611-00	CLUTCH HOUSING COMP.	1	1	1	1	1	
2	21V-16664-00	BEARING, ONE WAY	1	1	1	1	1	
3	21V-16665-01	RETAINER, BEARING	1	1	1	1	1	
4	90201-404M6	WASHER, PLATE	1	1	1	1	1	
5	4BD-16620-00	CLUTCH CARRIER ASSY	1	1	1	1	1	
6	3GC-16626-00	SPRING, CLUTCH WEIGHT	3	3	3	3	3	
7	90201-266F6	WASHER, PLATE	1	1	1	1	1	
8	90215-22259	WASHER, LOCK	1	1	1	1	1	
9	90170-22371	NUT	1	1	1	1	1	
10	2HT-16150-00	PRIMARY DRIVEN GEAR COMP.	1	1	1	1	1	
11	5H0-16154-00	PLATE, THRUST 1	1	1	1	1	1	
12	21V-16371-01	BOSS, CLUTCH	1	1	1	1	1	
13	21V-16321-00	PLATE, FRICTION	5	5	5	5	5	
14	257-16324-00	PLATE, CLUTCH 1	4	4	4	4	4	
15	21V-16351-00	PLATE, PRESSURE 1	1	1	1	1	1	
16	90501-243J7	SPRING, COMPRESSION	4	4	4	4	4	
17	21V-16352-00	PLATE, PRESSURE 2	1	1	1	1	1	
18	90159-05011	SCREW, WITH WASHER	4	4	4	4	4	
19	93306-00006	BEARING (B6000)	1	1	1	1	1	
20	21V-16358-00	PLATE, PUSH	1	1	1	1	1	
21	90215-14188	WASHER, LOCK	1	1	1	1	1	
22	90170-14284	NUT	1	1	1	1	1	
23	90338-26136	PLUG	1	1	1	1	1	
24	93420-28055	CIRCLIP	1	1	1	1	1	

FIG. 15 TRANSMISSION



3GH1110-9140

REF. NO.	PART NO.	DESCRIPTION	U49	FRA	CHE	GBR	JPN	REMARKS
1	59V-17401-00	MAIN AXLE ASSY	1	1	1	1	1	
2	24W-17151-02	GEAR, 5TH PINION (28T)	1	1	1	1	1	
3	90209-17285	WASHER	1	1	1	1	1	
4	93410-20038	CIRCLIP	1	1	1	1	1	
5	59V-17131-00	GEAR, 3RD PINION (22T)	1	1	1	1	1	
6	59V-17141-00	GEAR, 4TH PINION (25T)	1	1	1	1	1	
7	4KD-17121-00	GEAR, 2ND PINION (18T)	1	1	1	1	1	
8	93306-20401	BEARING (B6204)	1	1	1	1	1	
9	93101-15101	OIL SEAL	1	1	1	1	1	
10	93306-20201	BEARING (B6202)	1	1	1	1	1	
11	24W-17402-00	DRIVE AXLE ASSY	1	1	1	1	1	
12	29U-17221-01	GEAR, 2ND WHEEL (34T)	1	1	1	1	1	
13	24W-17241-00	GEAR, 4TH WHEEL (26T)	1	1	1	1	1	
14	15A-17231-00	GEAR, 3RD WHEEL (29T)	1	1	1	1	1	
15	4BD-17251-00	GEAR, 5TH WHEEL (23T)	1	1	1	1	1	
16	90209-18208	WASHER	1	1	1	1	1	
17	93410-22039	CIRCLIP	1	1	1	1	1	
18	29U-17211-00	GEAR, 1ST WHEEL (34T)	1	1	1	1	1	
19	90209-23241	WASHER	1	1	1	1	1	
20	93410-26067	CIRCLIP	1	1	1	1	1	
21	90201-15700	WASHER, PLATE	1	1	1	1	1	
22	24W-17558-00	PLATE, BEARING	1	1	1	1	1	
23	90149-08152	SCREW	3	3	3	3	3	
24	93306-20201	BEARING (B6202)	1	1	1	1	1	



4KD1110-4150

FIG. 16 MIDDLE DRIVE GEAR

REF. NO.	PART NO.	DESCRIPTION	J49	FRA	CHE	GBR	JPN	REMARKS
1	4KD-Y1754-00	MIDDLE GEAR COMP.	1	1	1	1	1	
2	93306-30432	BEARING (B6304)	1	1	1	1	1	
3	24W-17537-10	SHIM, THRUST (0.13T)	1	1	1	1	1	UR
	24W-17537-20	SHIM, THRUST (0.15T)	1	1	1	1	1	UR
	24W-17537-30	SHIM, THRUST (0.2T)	1	1	1	1	1	UR
	24W-17537-40	SHIM, THRUST (0.3T)	1	1	1	1	1	UR
	24W-17537-50	SHIM, THRUST (0.4T)	1	1	1	1	1	UR
	24W-17537-60	SHIM, THRUST (0.5T)	1	1	1	1	1	UR
4	90179-16651	NUT	1	1	1	1	1	
5	93306-00612	BEARING	1	1	1	1	1	
6	52G-17531-01	SHIM, PINION (0.1T)	1	1	1	1	1	UR
	52G-17531-11	SHIM, PINION (0.15T)	1	1	1	1	1	UR
	52G-17531-21	SHIM, PINION (0.2T)	1	1	1	1	1	UR
	52G-17531-31	SHIM, PINION (0.3T)	1	1	1	1	1	UR
	52G-17531-41	SHIM, PINION (0.4T)	1	1	1	1	1	UR
	52G-17531-51	SHIM, PINION (0.5T)	1	1	1	1	1	UR
7	52G-17285-00	CLUTCH, DOG	1	1	1	1	1	
8	52G-17967-00-15	SHIM, (0.15T)	1	1	1	1	1	UR
	52G-17967-00-20	SHIM, (0.2T)	1	1	1	1	1	UR
	52G-17967-00-30	SHIM, (0.3T)	1	1	1	1	1	UR
	52G-17967-00-40	SHIM, (0.4T)	1	1	1	1	1	UR
	52G-17967-00-50	SHIM, (0.5T)	1	1	1	1	1	UR
9	93306-07801	BEARING	1	1	1	1	1	
10	90179-55464	NUT	1	1	1	1	1	
11	90179-28465	NUT	1	1	1	1	1	
12	4KD-17553-00	SHAFT, MIDDLE DRIVEN	1	1	1	1	1	
13	52G-17968-00-10	SHIM, (1.0T)	1	1	1	1	1	UR

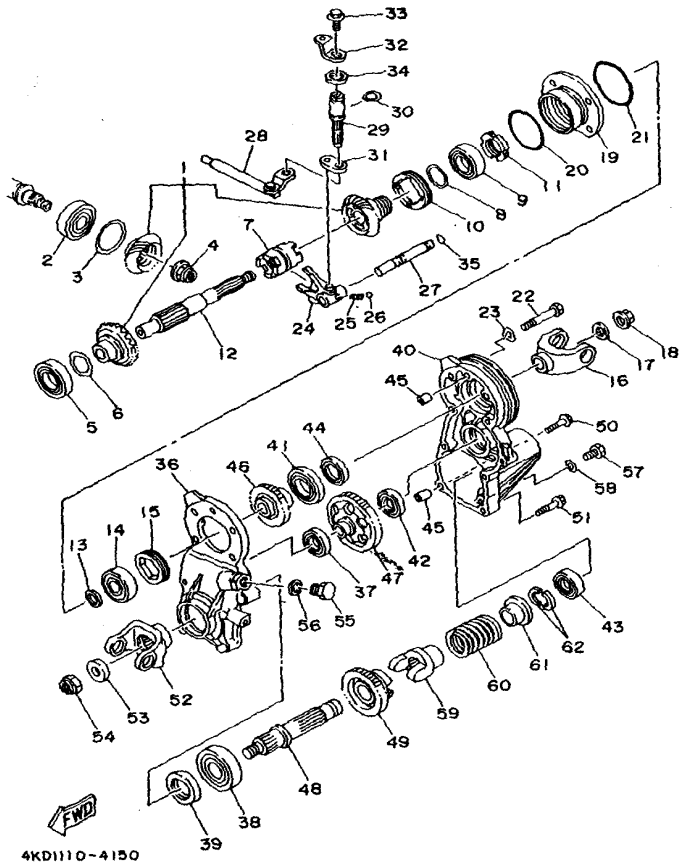


FIG. 16 MIDDLE DRIVE GEAR

REF. NO.	PART NO.	DESCRIPTION	U49	FRA	CHE	BBR	IPN	REMARKS
13	52G-17968-00-11	SHIM, (1.1T)	1	1	1	1	1	UR
	52G-17968-00-12	SHIM, (1.2T)	1	1	1	1	1	UR
	52G-17968-00-13	SHIM, (1.3T)	1	1	1	1	1	UR
	52G-17968-00-14	SHIM, (1.4T)	1	1	1	1	1	UR
	52G-17968-00-15	SHIM, (1.5T)	1	1	1	1	1	UR
	52G-17968-00-16	SHIM, (1.6T)	1	1	1	1	1	UR
	52G-17968-00-17	SHIM, (1.7T)	1	1	1	1	1	UR
	52G-17968-00-18	SHIM, (1.8T)	1	1	1	1	1	UR
	52G-17968-00-19	SHIM, (1.9T)	1	1	1	1	1	UR
14	93306-30305	BEARING (B6303)	1	1	1	1	1	
15	90179-50467	NUT	1	1	1	1	1	
16	4BD-17556-00	YOKE, JOINT	1	1	1	1	1	
17	90201-125F7	WASHER, PLATE	1	1	1	1	1	
18	90179-12248	NUT	1	1	1	1	1	
19	4KD-17551-01	HOUSING, BEARING	1	1	1	1	1	
20	93210-56589	O-RING	1	1	1	1	1	
21	93210-65721	O-RING	1	1	1	1	1	
22	97027-08055	BOLT	4	4	4	4	4	
23	92907-08600	WASHER, PLATE	4	4	4	4	4	
24	52G-18514-02	FORK, SHIFT 4	1	1	1	1	1	
25	90501-101A5	SPRING, COMPRESSION	1	1	1	1	1	
26	93501-04004	BALL	1	1	1	1	1	
	93501-04011	BALL					1	
27	52G-18534-00	BAR, SHIFT FORK GUIDE	1	1	1	1	1	
28	3GC-1812A-00	STOPPER SHAFT ASSY	1	1	1	1	1	
29	3GC-18197-00	SHAFT	1	1	1	1	1	
30	99009-14400	CIRCLIP	1	1	1	1	1	

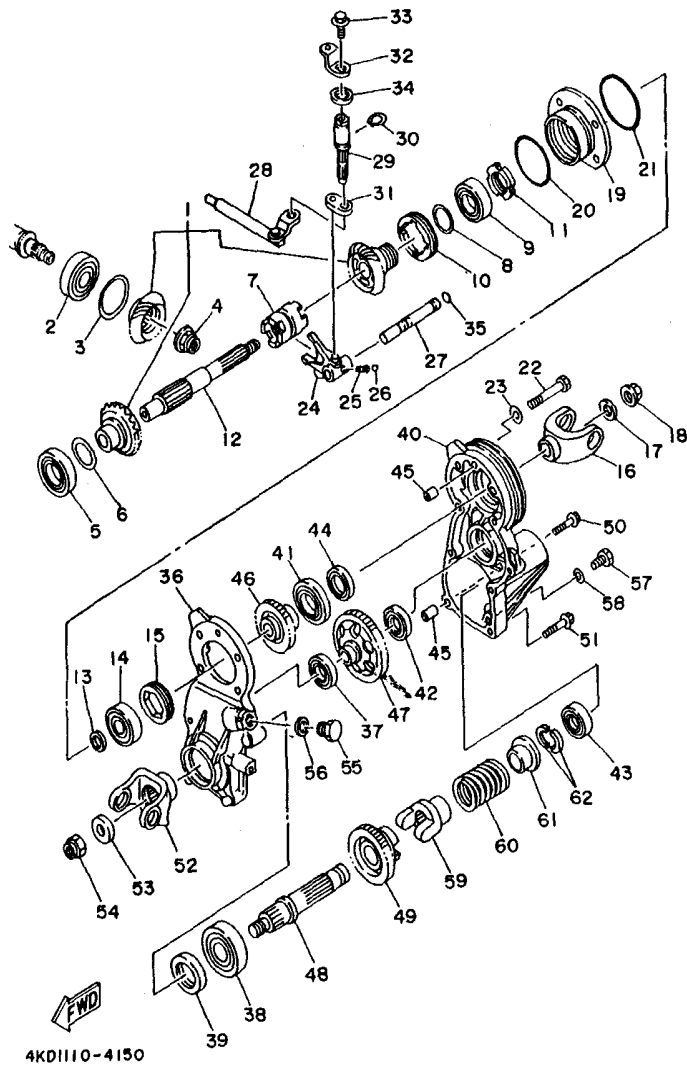


FIG. 16 MIDDLE DRIVE GEAR

REF. NO.	PART NO.	DESCRIPTION	USA	FPA	CHE	GBR	JPN	REMARKS
31	3GC-18451-00	LEVER, SHIFT	1	1	1	1	1	
32	52G-18198-00	LEVER	1	1	1	1	1	
33	90105-06680	BOLT, WASHER BASED	1	1	1	1	1	
34	93102-14209	OIL SEAL	1	1	1	1	1	
35	93210-09165	O-RING	1	1	1	1	1	
36	4KD-17541-01	CASE, TRANSFER 1	1	1	1	1	1	
37	93316-00404	BEARING	1	1	1	1	1	
38	93306-30551	BEARING	1	1	1	1	1	
39	93105-35027	OIL SEAL	1	1	1	1	1	
40	4KD-17542-01	CASE, TRANSFER 2	1	1	1	1	1	
41	93316-00602	BEARING	1	1	1	1	1	
42	93316-00404	BEARING	1	1	1	1	1	
43	93306-00401	BEARING (B6004)	1	1	1	1	1	
44	93101-30084	OIL SEAL	1	1	1	1	1	
45	99530-08016	PIN, DOWEL	2	2	2	2	2	
46	4KD-17586-00	GEAR, TRANSFER DRIVE (23T)	1	1	1	1	1	
47	4KD-17587-00	GEAR, IDLER (32T)	1	1	1	1	1	
48	22U-17553-01	SHAFT, MIDDLE DRIVEN	1	1	1	1	1	
49	4KD-17588-00	GEAR, TRANSFER DRIVEN (26T)	1	1	1	1	1	
50	95027-06035	BOLT, FLANGE	1	1	1	1	1	
51	95027-06030	BOLT, FLANGE	5	5	5	5	5	
52	2HR-17576-00	YOKE, JOINT 2	1	1	1	1	1	
53	90201-14633	WASHER, PLATE	1	1	1	1	1	
54	90185-14070	NUT, SELF-LOCKING	1	1	1	1	1	
55	90340-14029	PLUG, STRAIGHT SCREW	1	1	1	1	1	
56	214-11198-01	GASKET	1	1	1	1	1	
57	95027-08012	BOLT, FLANGE	1	1	1	1	1	

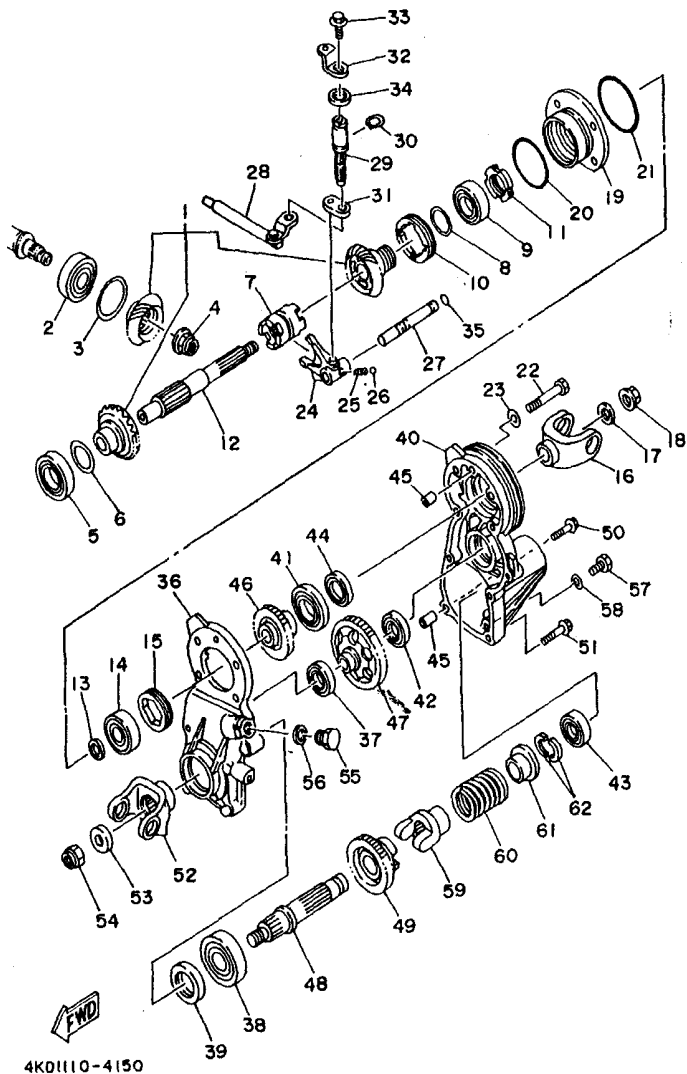
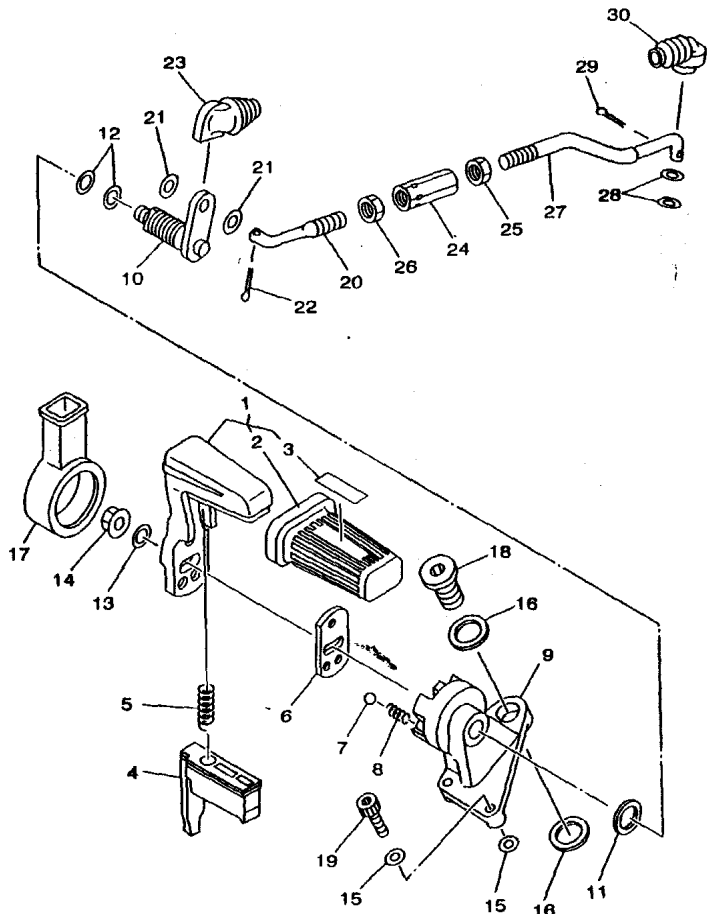


FIG. 16 MIDDLE DRIVE GEAR

REF. NO.	PART NO.	DESCRIPTION	U49	FRA	CHE	GBR	JPN	REMARKS
58	90201-08087	WASHER, PLATE	1	1	1	1	1	
59	22U-17527-01	CAM, DRIVEN	1	1	1	1	1	
60	90501-605E1	SPRING, COMPRESSION	1	1	1	1	1	
61	22U-17524-00	HOLDER	1	1	1	1	1	
62	3H6-17529-00	WASHER, THRUST	2	2	2	2	2	

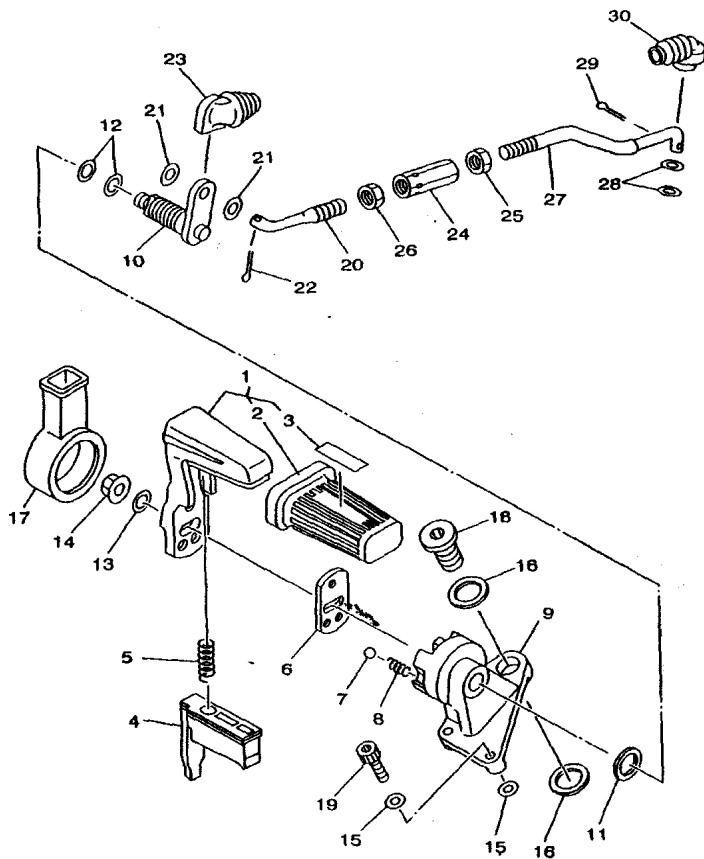


4KDK110-9170

FIG. 17 DRIVE SELECTOR

REF. NO.	PART NO.	DESCRIPTION	J49	FRA	CHE	GBR	JPN	REMARKS
1	52G-18150-00	SHIFT LEVER ASSY	1	1	1	1	1	
2	52G-18113-00	.COVER, SHIFT PEDAL	1	1	1	1	1	
3	52G-1815A-00	.LABEL	1	1	1	1	1	
4	4KD-18174-01	KNOB, SHIFT LEVER	1	1	1	1	1	
5	90501-101A7	SPRING, COMPRESSION	1	1	1	1	1	
6	52G-18561-00	PLATE, SIDE 1	1	1	1	1	1	
7	93509-32012	BALL	1	1	1	1	1	
8	90501-103A1	SPRING, COMPRESSION	1	1	1	1	1	
9	52H-18153-00	GUIDE, SHIFT RETURN SPRING	1	1	1	1	1	
10	52H-18341-00	SHAFT, RINK	1	1	1	1	1	
11	90201-144J2	WASHER, PLATE	1	1	1	1	1	
12	93210-10010	O-RING	2	2	2	2	2	
13	90201-064J1	WASHER, PLATE	1	1	1	1	1	
14	95707-06500	NUT, FLANGE	1	1	1	1	1	
15	90201-067P3	WASHER, PLATE	4	4	4	4	4	
16	90201-147P2	WASHER, PLATE	2	2	2	2	2	
17	52G-18433-00	COVER, SHIFT SPRING	1	1	1	1	1	
18	90340-14107	PLUG, STRAIGHT SCREW	1	1	1	1	1	
19	91317-06020	BOLT	2	2	2	2	2	
20	52G-18117-00	JOINT, ROD 2	1	1	1	1	1	
21	92907-06200	WASHER	2	2	2	2	2	
22	91401-20015	PIN, COTTER	1	1	1	1	1	
23	5R2-18154-00	COVER, DUST	1	1	1	1	1	
24	52G-18187-00	NUT, ADJUST	1	1	1	1	1	
25	95317-08600	NUT	1	1	1	1	1	
26	90170-08261	NUT	1	1	1	1	1	
27	52G-18116-00	JOINT, ROD 1	1	1	1	1	1	

FIG. 17 DRIVE SELECTOR




4KDK110-9170

REF. NO.	PART NO.	DESCRIPTION	U49	FRA	CHE	GBR	JPN	REMARKS
28	92907-06200	WASHER	2	2	2	2	2	
29	91401-20015	PIN, COTTER	1	1	1	1	1	
30	10W-18154-00	COVER, DUST	1	1	1	1	1	

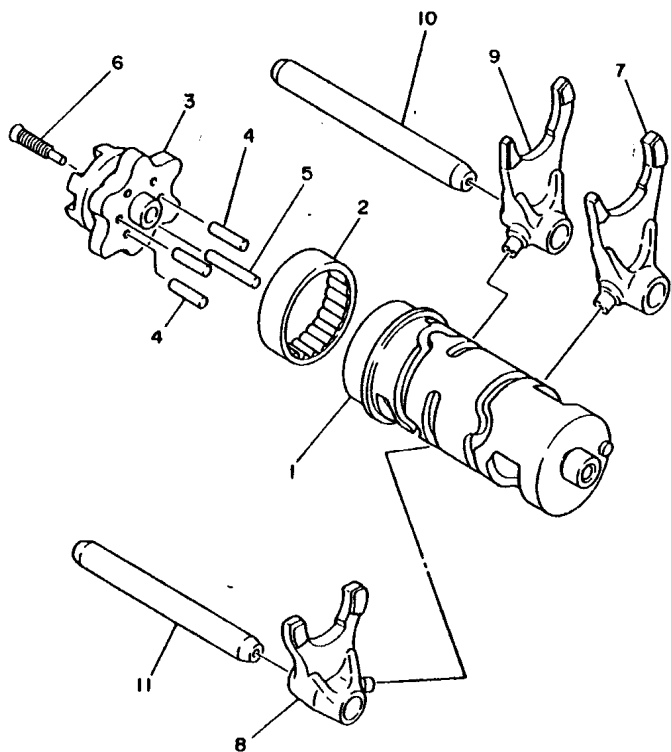
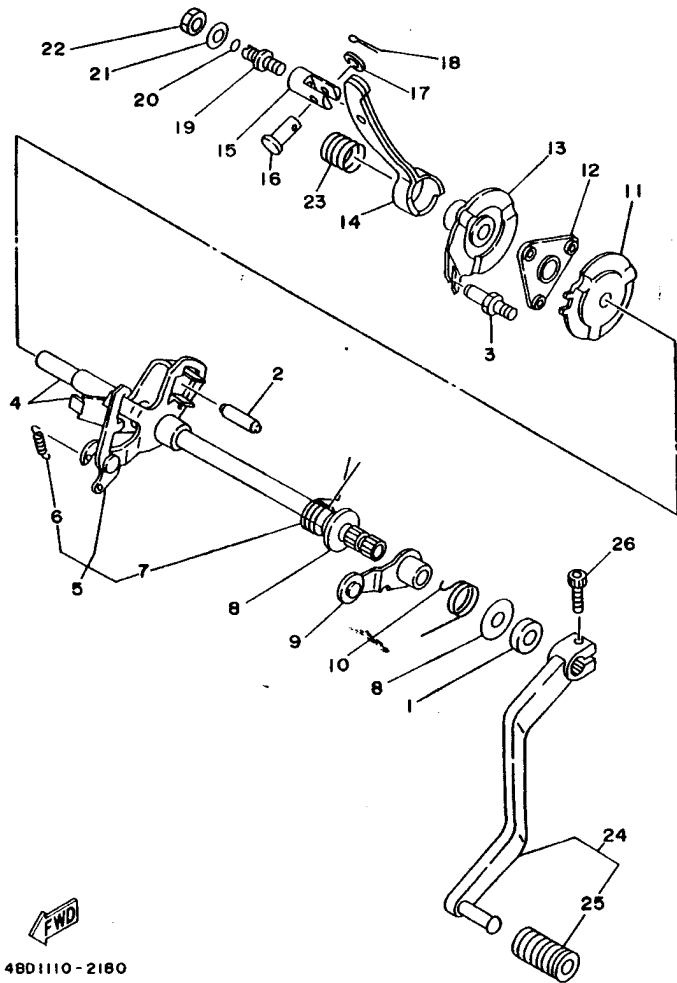


FIG. 18 SHIFT CAM. FORK

REF. NO.	PART NO.	DESCRIPTION	U49	FRA	CHE	GBR	JPN	REMARKS
1	52G-18540-01	SHIFT CAM ASSY	1	1	1	1	1	
2	93315-23607	BEARING	1	1	1	1	1	
3	5H0-18185-01	SEGMENT	1	1	1	1	1	
4	93604-16092	PIN, DOWEL	4	4	4	4	4	
5	93604-20158	PIN, DOWEL	1	1	1	1	1	
6	90151-06013	SCREW, COUNTERSUNK	1	1	1	1	1	
7	4JG-18513-00	FORK, SHIFT 3	1	1	1	1	1	
8	4JG-18511-00	FORK, SHIFT 1	1	1	1	1	1	
9	4BD-18512-00	FORK, SHIFT 2	1	1	1	1	1	
10	3GX-18531-00	BAR, SHIFT FORK GUIDE 1	1	1	1	1	1	
11	3GX-18535-00	BAR, SHIFT FORK GUIDE 2	1	1	1	1	1	

52G100-5180

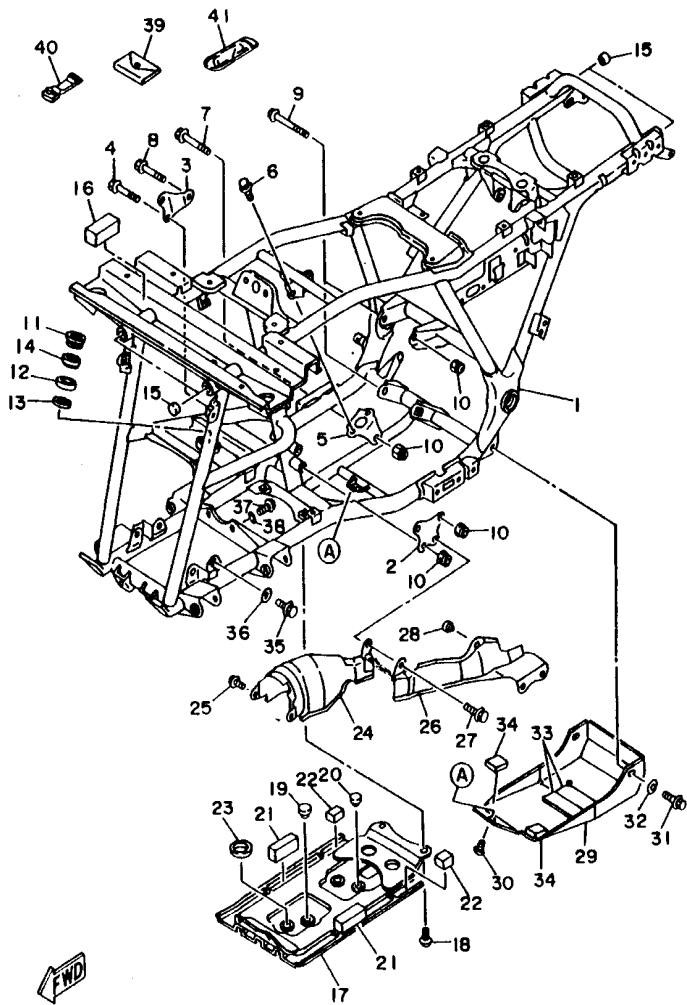


48D1110-2180

FIG. 19 SHIFT SHAFT

REF. NO.	PART NO.	DESCRIPTION	USA	FRA	CHE	GBR	JPN	REMARKS
1	93102-12106	OIL SEAL (SD 12-22-5 HS)	1	1	1	1	1	
2	93608-30152	PIN, DOWEL	1	1	1	1	1	
3	21V-18177-00	BOLT, STOPPER	1	1	1	1	1	
4	3GH-18103-01	SHIFT SHAFT COMP.	1	1	1	1	1	
5	21V-18120-00	SHIFT LEVER ASSY	1	1	1	1	1	
6	90508-08227	.SPRING, TENSION	1	1	1	1	1	
7	90508-29570	.SPRING, TORSION	1	1	1	1	1	
8	90201-12588	WASHER, PLATE	2	2	2	2	2	
9	4G0-18140-00	STOPPER LEVER ASSY	1	1	1	1	1	
10	90508-26539	SPRING, TORSION	1	1	1	1	1	
11	24W-18179-00	GUIDE	1	1	1	1	1	
12	21V-18181-00	HOLDER, PAWL	1	1	1	1	1	
13	24W-18104-00	SHIFT GUIDE COMP.	1	1	1	1	1	
14	2HT-1817A-00	ARM, SHIFT 3	1	1	1	1	1	
15	21V-18126-00	PIN, LEVER	1	1	1	1	1	
16	21V-18118-00	PIN, JOINT	1	1	1	1	1	
17	92907-08600	WASHER, PLATE	1	1	1	1	1	
18	91401-16012	PIN, COTTER	1	1	1	1	1	
19	21V-18127-00	STOPPER, SCREW	1	1	1	1	1	
20	93210-07590	O-RING	1	1	1	1	1	
21	90201-08093	WASHER, PLATE	1	1	1	1	1	
22	95307-08700	NUT	1	1	1	1	1	
23	90501-16768	SPRING, COMPRESSION	1	1	1	1	1	
24	4KD-18110-00	SHIFT PEDAL ASSY	1	1	1	1	1	
25	132-18113-01	.COVER, SHIFT PEDAL	1	1	1	1	1	
26	97017-06020	BOLT	1	1	1	1	1	

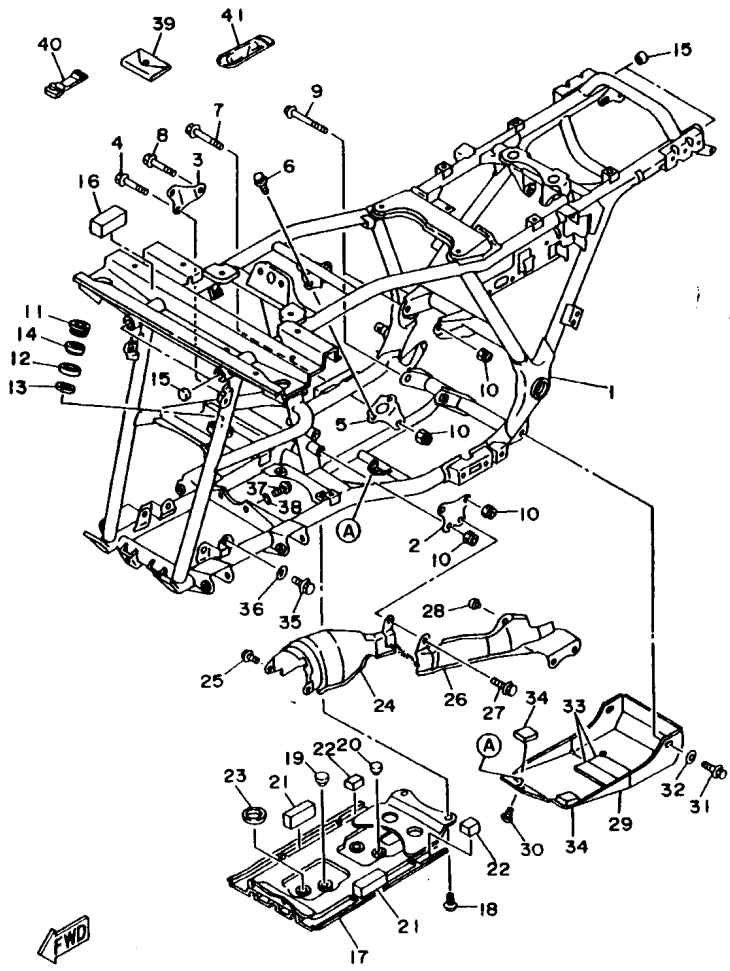
C14



4KD2171-4200

FIG. 20 FRAME

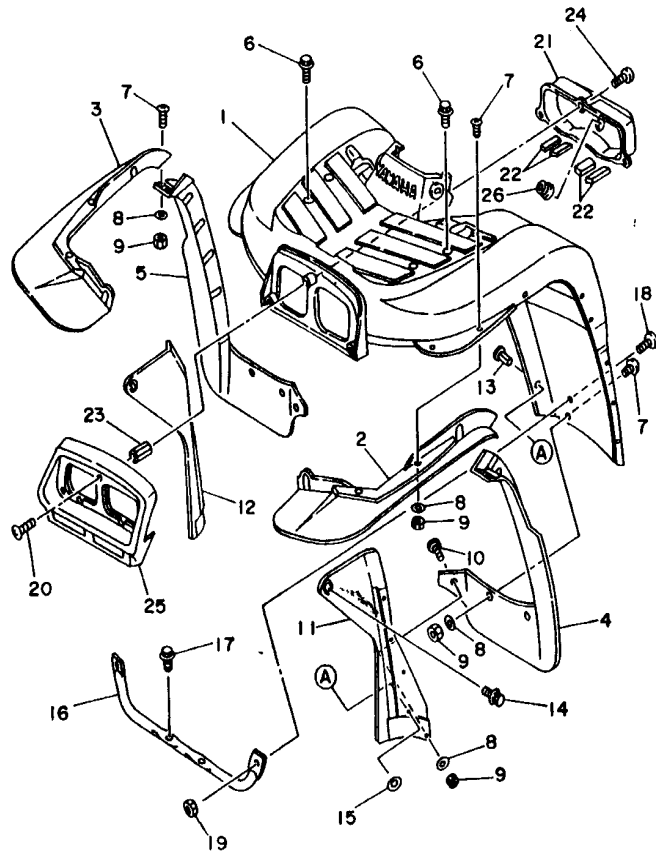
REF. NO.	PART NO.	DESCRIPTION	U49	FRA	CHE	GBR	JPN	REMARKS
1	4KD-21110-10-R4	FRAME COMP.	1	1	1	1	1	HPB
2	4KD-21316-00	STAY, ENGINE 3	1	1	1	1	1	
3	4KD-21317-00	STAY, ENGINE 3	1	1	1	1	1	
4	95817-08080	BOLT, FLANGE	2	2	2	2	2	
5	4KD-21315-00	STAY, ENGINE 2	1	1	1	1	1	
6	95817-08012	BOLT, FLANGE	2	2	2	2	2	
7	95817-08055	BOLT, FLANGE	1	1	1	1	1	
8	95817-08065	BOLT, FLANGE	1	1	1	1	1	
9	90105-08120	BOLT, WASHER BASED	2	2	2	2	2	
10	95607-08200	NUT, SELF-LOCKING	5	5	5	5	5	
11	93102-25081	OIL SEAL	1	1	1	1	1	
12	93306-20331	BEARING	1	1	1	1	1	
13	93102-25099	OIL SEAL	1	1	1	1	1	
14	2GU-23872-00	HOLDER, BEARING	1	1	1	1	1	
15	90336-22056	PLUG, TAPER	4	4	4	4	4	
16	56J-2472F-00	SUPPORT, TAIL COVER	2	2	2	2	2	
17	4KD-2147A-00	GUARD, ENGINE 1	1	1	1	1	1	
18	92017-08014	BOLT, BUTTON HEAD	2	2	2	2	2	
19	22W-24741-00	PAD, SEAT	1	1	1	1	1	
20	278-27114-00	STOPPER, MAIN STAND	1	1	1	1	1	
21	56J-2472F-00	SUPPORT, TAIL COVER	2	2	2	2	2	
22	4J2-21778-00	DAMPER, LOCATING 1	2	2	2	2	2	
23	4KD-21485-00	DAMPER, RUBBER 1	1	1	1	1	1	
24	4KD-2147J-00	COVER, SHAFT 1	1	1	1	1	1	
25	95827-06012	BOLT, FLANGE	2	2	2	2	2	
26	4KD-2147K-00	COVER, SHAFT 2	1	1	1	1	1	
27	95827-06016	BOLT, FLANGE	1	1	1	1	1	



4KD2171-4200

REF. NO.	PART NO.	DESCRIPTION	J49	FRA	CHE	GBR	JPN	REMARKS
28	22W-24181-00	DAMPER, LOCATING 1	1	1	1	1	1	
29	4KD-2147H-00	STAY, TRANSFER	1	1	1	1	1	
30	92017-08014	BOLT, BUTTON HEAD	1	1	1	1	1	
31	95817-08016	BOLT, FLANGE	2	2	2	2	2	
32	90201-08326	WASHER, PLATE	2	2	2	2	2	
33	38V-21486-00	DAMPER 2	2	2	2	2	2	
34	36F-21638-00	DAMPER 1	2	2	2	2	2	
35	95817-10025	BOLT, FLANGE	4	4	4	4	4	
36	90201-08759	WASHER, PLATE	4	4	4	4	4	
37	97017-08045	BOLT	2	2	2	2	2	
38	90201-083P5	WASHER, PLATE	2	2	2	2	2	
39	2XK-28100-00	TOOL KIT	1	1	1	1	1	
40	21V-21376-00	BAND, TOOL	1	1	1	1	1	
41	1NV-2811A-00	GAUGE, AIR	1	1	1	1	1	

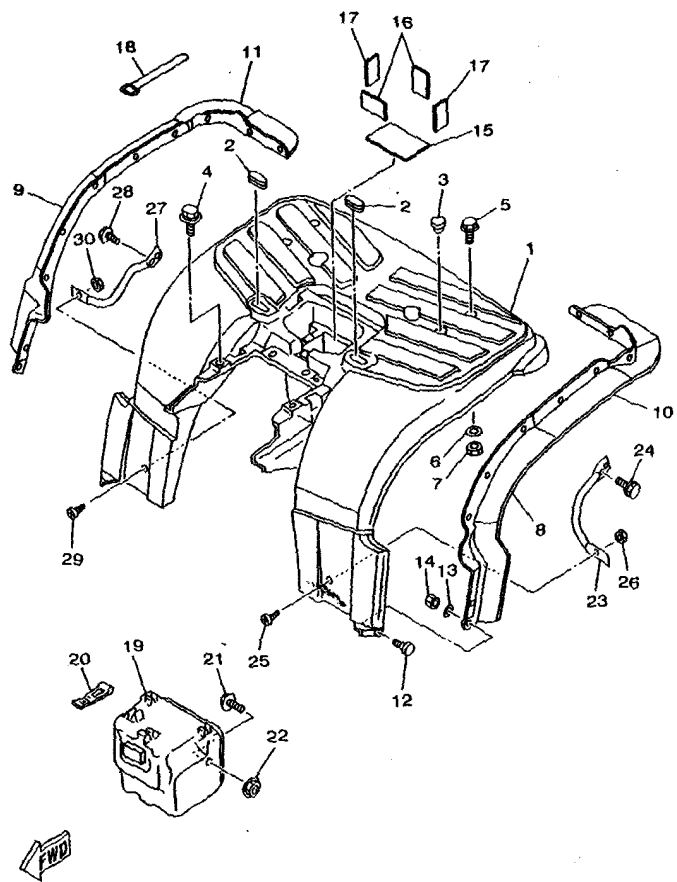
D2




4BD8100-5220

FIG. 21 FRONT FENDER

REF. NO.	PART NO.	DESCRIPTION	U49	FRA	CHE	GBR	JPN	REMARKS
1	4KD-W2151-40	FRONT FENDER COMP.	1					PDG
	4KD-W215B-40	FRONT FENDER COMP. 2		1	1	1	1	PDG
2	4BD-21551-00	FENDER, OVER	1	1	1	1	1	
3	4BD-21555-00	FENDER, OVER 2	1	1	1	1	1	
4	4BD-21559-00	FENDER, OVER 3	1	1	1	1	1	
5	4BD-21560-00	FENDER, OVER 4	1	1	1	1	1	
6	90119-08212	BOLT, WITH WASHER	4	4	4	4	4	
7	90154-05005	SCREW, BINDING	26	26	26	26	26	
8	90201-05029	WASHER, PLATE	28	28	28	28	28	
9	95707-05300	NUT, FLANGE	28	28	28	28	28	
10	90154-05052	SCREW, BINDING	2	2	2	2	2	
11	4KD-21552-00	FENDER, INNER	1	1	1	1	1	
12	4KD-21553-00	FENDER, INNER 2	1	1	1	1	1	
13	90267-63047	RIVET, BLIND	8	8	8	8	8	
14	90119-06108	BOLT, WITH WASHER	2	2	2	2	2	
15	90201-076J4	WASHER, PLATE	8	8	8	8	8	
16	4KD-21513-00	STAY, FENDER 1	1	1	1	1	1	
17	95807-06012	BOLT, FLANGE	2	2	2	2	2	
18	90149-06184	SCREW	2	2	2	2	2	
19	95607-06100	NUT, U	2	2	2	2	2	
20	90154-05013	SCREW, BINDING	3	3	3	3	3	
21	2HR-84111-00	BODY, HEADLIGHT	1	1	1	1	1	
22	1UJ-21717-00	DAMPER	4	4	4	4	4	
23	90170-05362	NUT	3	3	3	3	3	
24	98907-05014	SCREW, BIND	3	3	3	3	3	
25	2HR-23391-00	PANEL, FRONT	1	1	1	1	1	
26	90480-25461	GROMMET	1	1	1	1	1	

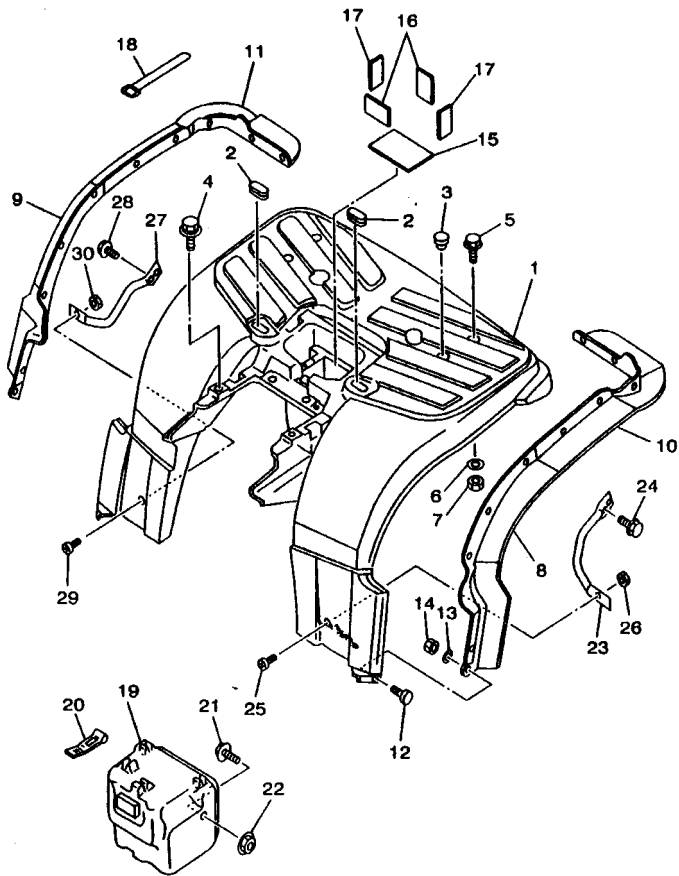


4KDK110-9220

FIG. 22 REAR FENDER

REF. NO.	PART NO.	DESCRIPTION	U49	UFA	CR/E	GBR	UPN	REMARKS
1	4KD-W2161-F0	REAR FENDER COMP.	1	1	1	1	1	PDG
2	90480-01556	GROMMET	2	2	2	2	2	
3	90480-10068	GROMMET	2	2	2	2	2	
4	90119-06205	BOLT, WITH WASHER	2	2	2	2	2	
5	90119-06060	BOLT, WITH WASHER	2	2	2	2	2	
6	92907-06200	WASHER	2	2	2	2	2	
7	95607-06100	NUT, U	2	2	2	2	2	
8	4BD-21621-00	FLAP	1	1	1	1	1	
9	4BD-21691-00	FLAP	1	1	1	1	1	
10	4BD-2162H-00	FLAP 3	1	1	1	1	1	
11	4BD-2162J-00	FLAP 4	1	1	1	1	1	
12	90154-05005	SCREW, BINDING	24	24	24	24	24	
13	90201-05029	WASHER, PLATE	24	24	24	24	24	
14	95707-05300	NUT, FLANGE	24	24	24	24	24	
15	4BD-21639-00	DAMPER 2	1	1	1	1	1	
16	26H-24145-00	DAMPER, SIDE COVER	2	2	2	2	2	
17	4V1-24183-00	DAMPER, LOCATING 3	2	2	2	2	2	
18	90464-48174	CLAMP	1	1	1	1	1	
19	4BD-2160A-00	BOX COMP.	1		1		1	
	4BD-2160A-10	BOX COMP.			1		1	
20	59V-21646-00	BAND	2	2	2	2	2	
21	90119-06060	BOLT, WITH WASHER	2	2	2	2	2	
22	95707-06600	NUT, FLANGE	2	2	2	2	2	
23	4BD-21643-00	STAY, FENDER 3	1	1	1	1	1	
24	95807-06012	BOLT, FLANGE	2	2	2	2	2	
25	90149-06184	SCREW	1	1	1	1	1	
26	95607-06100	NUT, U	1	1	1	1	1	

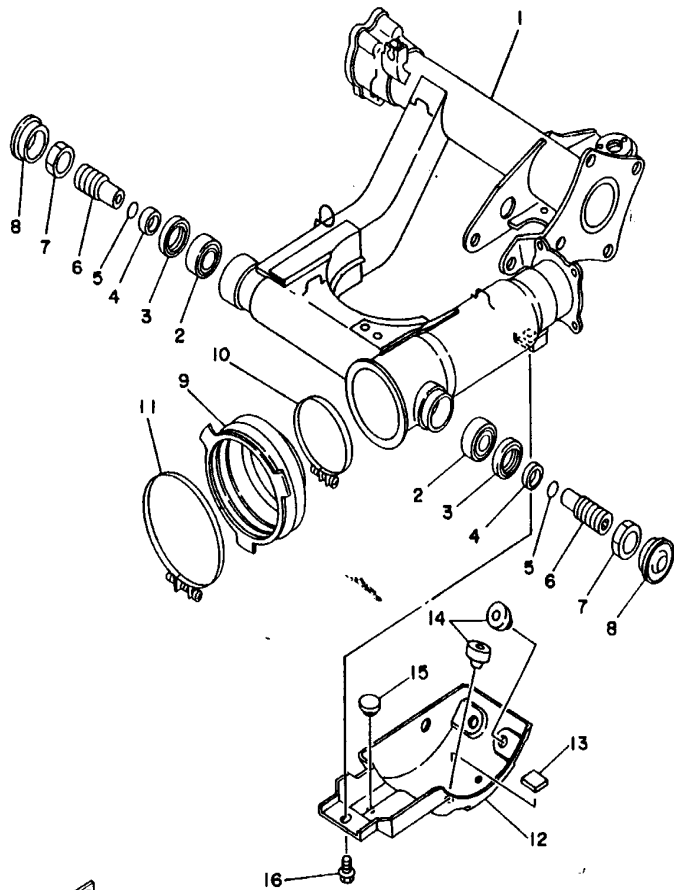
D4



4KDK110-9220

REF. NO.	PART NO.	DESCRIPTION	U49	FRA	CHE	GBR	JPN	REMARKS
27	4BD-21644-00	STAY, FENDER 4	1	1	1	1	1	
28	95807-06012	BOLT, FLANGE	2	2	2	2	2	
29	90149-06184	SCREW	1	1	1	1	1	
30	95607-06100	NUT, U	1	1	1	1	1	

D5



4BD8110-4230

FIG. 24 REAR ARM

REF. NO.	PART NO.	DESCRIPTION	U49	FRA	CHE	GBR	JPN	REMARKS
1	4BD-22110-02-33	REAR ARM COMP.	1	1	1	1	1	YB
2	93332-00080	BEARING	2	2	2	2	2	
3	93102-25017	OIL SEAL	2	2	2	2	2	
4	90387-1707V	COLLAR	2	2	2	2	2	
5	93210-17718	O-RING	2	2	2	2	2	
6	29U-22141-00	SHAFT, PIVOT	2	2	2	2	2	
7	1J7-22143-00	NUT	2	2	2	2	2	
8	90338-34069	PLUG	2	2	2	2	2	
9	4KD-22189-00	BOOT, RUBBER	1	1	1	1	1	
10	90460-85135	CLAMP, HOSE	1	1	1	1	1	
11	90450-99013	HOSE CLAMP ASSY	1	1	1	1	1	
12	4BD-2219X-02	COVER	1	1	1	1	1	
13	4KD-2214F-00	DAMPER 1	1	1	1	1	1	
14	116-27114-00	STOPPER, MAIN STAND	3	3	3	3	3	
15	128-27114-00	STOPPER, MAIN STAND	1	1	1	1	1	
16	95807-08012	BOLT, FLANGE	1	1	1	1	1	

D7

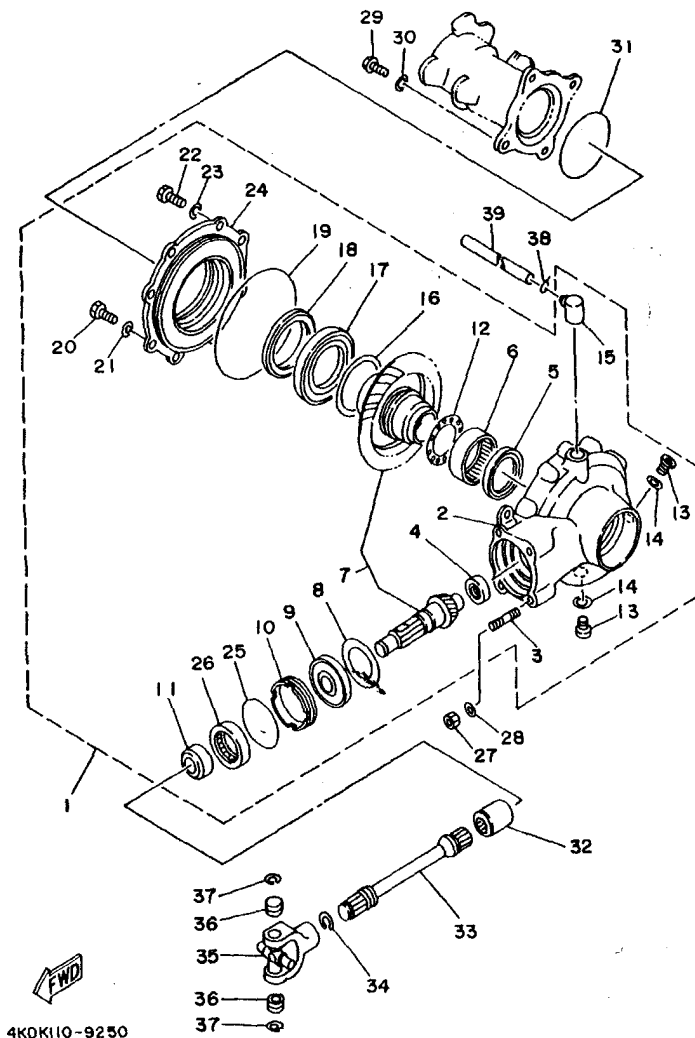
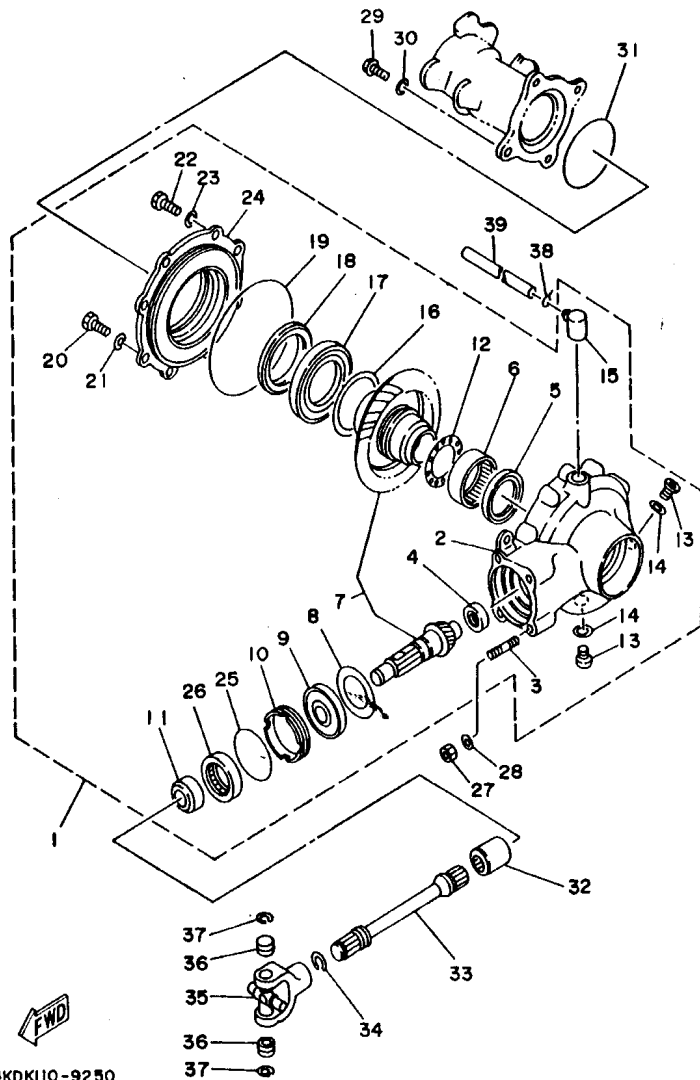


FIG. 25 DRIVE SHAFT

REF. NO.	PART NO.	DESCRIPTION	U49	FRA	CHE	GBR	JPN	REMARKS
1	4BD-46101-10	REAR AXLE GEAR CASE ASSY	1	1	1	1	1	
2	2VY-46151-01	.HOUSING, DRIVE SHAFT	1	1	1	1	1	
3	90116-08360	.BOLT, STUD	4	4	4	4	4	
4	24W-46102-00	.BEARING ASSY	1	1	1	1	1	
5	93101-52116	.OIL SEAL	1	1	1	1	1	
6	93317-85569	.BEARING	1	1	1	1	1	
7	4BD-Y4612-10	.RING GEAR SET	1	1	1	1	1	
8	1J7-17537-Y0-30	.SHIM, THRUST (0.30T)	1	1	1	1	1	UR
	1J7-17537-Y0-40	.SHIM, THRUST (0.40T)	1	1	1	1	1	UR
	1J7-17537-Y0-50	.SHIM, THRUST (0.50T)	1	1	1	1	1	UR
9	93306-30527	.BEARING	1	1	1	1	1	
10	29U-46125-00	.RETAINER, BEARING	1	1	1	1	1	
11	90387-255H9	.COLLAR	1	1	1	1	1	
12	24W-46118-00-12	.WASHER, THRUST (1.2T)	1	1	1	1	1	UR
	24W-46118-00-14	.WASHER, THRUST (1.4T)	1	1	1	1	1	UR
	24W-46118-00-16	.WASHER, THRUST (1.6T)	1	1	1	1	1	UR
	24W-46118-00-18	.WASHER, THRUST (1.8T)	1	1	1	1	1	UR
	24W-46118-00-20	.WASHER, THRUST (2.0T)	1	1	1	1	1	UR
13	90340-14046	.PLUG, STRAIGHT SCREW	2	2	2	2	2	
14	214-11198-01	.GASKET	2	2	2	2	2	
15	2H7-17591-01	.BREATHER	1	1	1	1	1	
16	24W-46117-00-25	.SHIM, RING GEAR (0.25T)	1	1	1	1	1	UR
	24W-46117-00-30	.SHIM, RING GEAR (0.30T)	1	1	1	1	1	UR
	24W-46117-00-40	.SHIM, RING GEAR (0.40T)	1	1	1	1	1	UR
	24W-46117-00-50	.SHIM, RING GEAR (0.50T)	1	1	1	1	1	UR
17	93316-01301	.BEARING	1	1	1	1	1	
18	93102-65386	.OIL SEAL	1	1	1	1	1	

D8

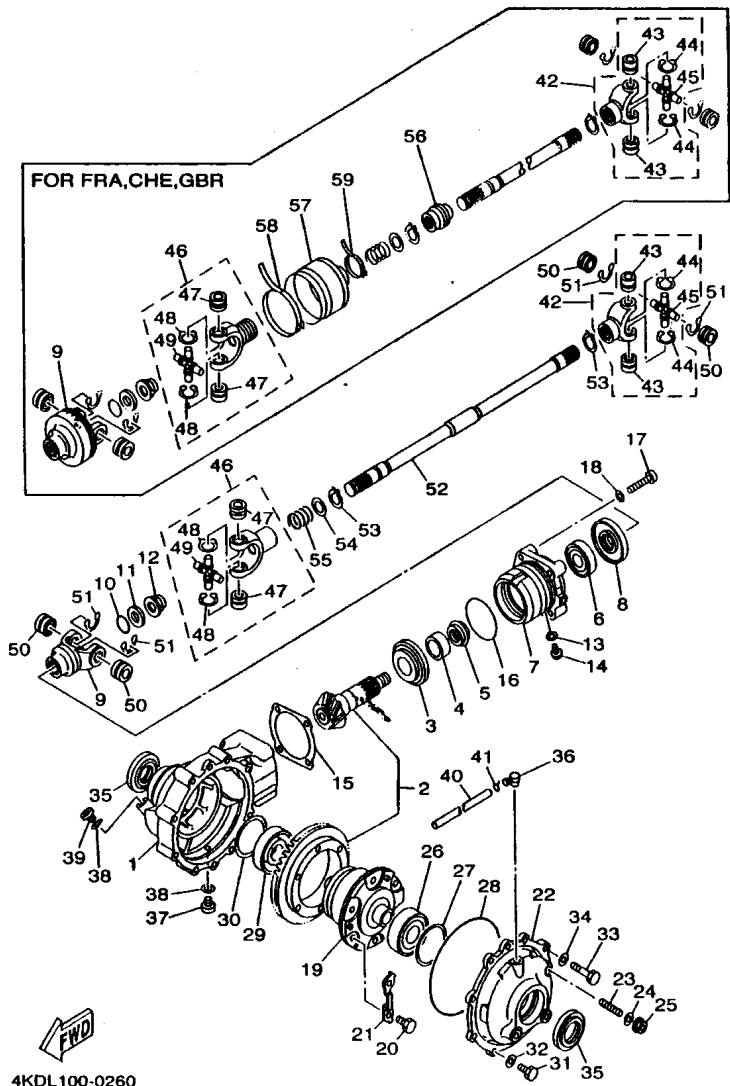


4KDK110-9250

FIG. 25 DRIVE SHAFT

REF. NO.	PART NO.	DESCRIPTION	U49	FRA	CHE	GBR	JPN	REMARKS
19	93211-44348	.O-RING	1	1	1	1	1	
20	97027-08025	.BOLT	6	6	6	6	6	
21	92907-08600	.WASHER, PLATE	6	6	6	6	6	
22	97027-10025	.BOLT	2	2	2	2	2	
23	92907-10600	.WASHER, PLATE	2	2	2	2	2	
24	3GC-46152-00	.HOUSING, BEARING	1	1	1	1	1	
25	93210-59531	.O-RING	1	1	1	1	1	
26	93101-38098	.OIL SEAL	1	1	1	1	1	
27	90179-08491	NUT	4	4	4	4	4	
28	90201-086P8	WASHER, PLATE	4	4	4	4	4	
29	95827-10025	BOLT, FLANGE	4	4	4	4	4	
30	90201-101J1	WASHER, PLATE	4	4	4	4	4	
31	93210-85075	O-RING	1	1	1	1	1	
32	29U-46123-00	COUPLING, GEAR	1	1	1	1	1	
33	4BD-46172-00	SHAFT, DRIVE	1	1	1	1	1	
34	93410-22039	CIRCLIP	1	1	1	1	1	
35	4X7-46180-00	CROSS JOINT COMP.	1	1	1	1	1	
36	93311-21044	BEARING	2	2	2	2	2	
37	93440-20088	CIRCLIP	2	2	2	2	2	
38	90467-07029	CLIP	1	1	1	1	1	
39	90445-073E3	HOSE	1	1	1	1	1	

D9



4KDL100-0260

FIG. 26 FRONT DIFFERENTIAL

REF. NO.	PART NO.	DESCRIPTION	J49	FRA	CHE	GBR	JPN	REMARKS
1	2HR-46161-00	HOUSING, SHAFT DRIVE 2	1	1	1	1	1	
2	2HR-W4614-00	PINION DRIVE GEAR SET	1	1	1	1	1	
3	93332-00066	BEARING	1	1	1	1	1	
4	90387-257R3	COLLAR	1	1	1	1	1	
5	2H7-17571-01	SPACER, EXPANSION	1	1	1	1	1	
6	93332-00024	BEARING	1	1	1	1	1	
7	2HR-46144-00	HOUSING, PINION BEARING	1	1	1	1	1	
8	93105-35028	OIL SEAL	1	1	1	1	1	
9	2HR-46146-01	YOKE, JOINT 2	1				1	
	4GB-46146-01	YOKE, JOINT 2		1	1	1		
10	93210-14359	O-RING	1	1	1	1	1	
11	90201-14633	WASHER, PLATE	1	1	1	1	1	
12	90179-14541	NUT	1	1	1	1	1	
13	90201-08087	WASHER, PLATE	1	1	1	1	1	
14	95027-08012	BOLT, FLANGE	1	1	1	1	1	
15	2HR-46127-00-25	SHIM, DRIVE PISTON (0.25T)	1	1	1	1	1	UR
	2HR-46127-00-30	SHIM, DRIVE PISTON (0.30T)	1	1	1	1	1	UR
	2HR-46127-00-35	SHIM, DRIVE PISTON (0.35T)	1	1	1	1	1	UR
	2HR-46127-00-40	SHIM, DRIVE PISTON (0.40T)	1	1	1	1	1	UR
	2HR-46127-00-45	SHIM, DRIVE PISTON (0.45T)	1	1	1	1	1	UR
	2HR-46127-00-50	SHIM, DRIVE PISTON (0.50T)	1	1	1	1	1	UR
16	93210-626A7	O-RING	1	1	1	1	1	
17	97027-08045	BOLT	2	2	2	2	2	
18	92907-08600	WASHER, PLATE	2	2	2	2	2	
19	3HN-46470-04	LIMITED SLIP DIFF. ASSY	1	1	1	1	1	
20	90101-10666	BOLT	6	6	6	6	6	
21	2HR-22156-00	WASHER, PLATE	3	3	3	3	3	

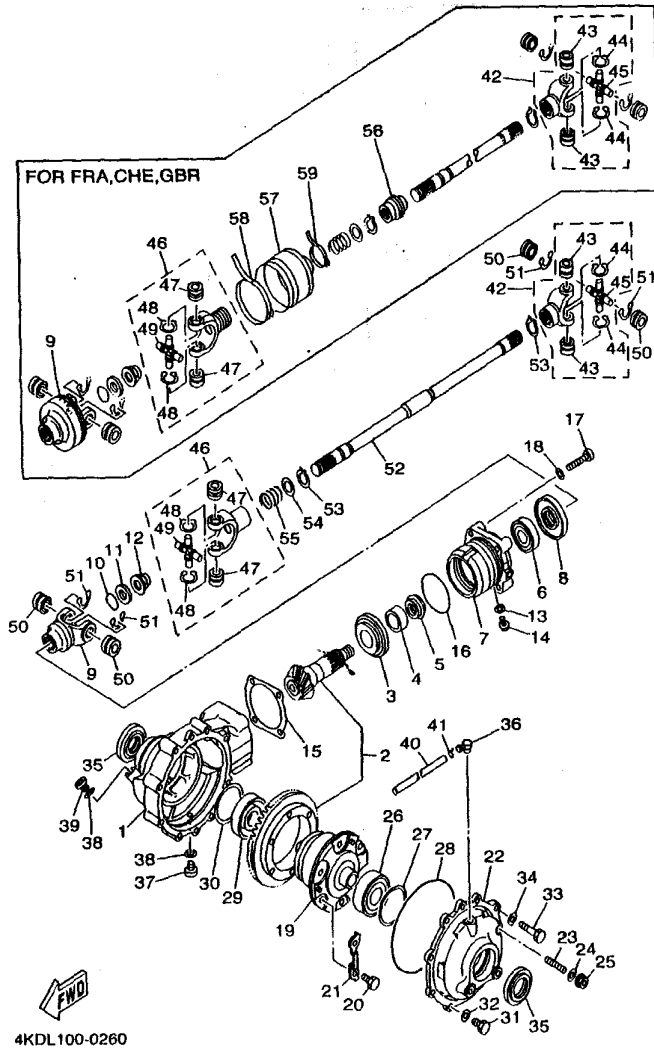


FIG. 26 FRONT DIFFERENTIAL

REF. NO.	PART NO.	DESCRIPTION	J49	FRA	CHE	GBR	JPN	REMARKS
22	2HR-46162-00	HOUSING, BEARING 2	1	1	1	1	1	
23	2HR-46156-00	STOPPER, RING GEAR	1	1	1	1	1	
24	90201-08087	WASHER, PLATE	1	1	1	1	1	
25	95707-08500	NUT, FLANGE	1	1	1	1	1	
26	93306-20717	BEARING	1	1	1	1	1	
27	4H7-17537-00-20	SHIM, THRUST (0.20T)	1	1	1	1	1	UR
	4H7-17537-00-30	SHIM, THRUST (0.30T)	1	1	1	1	1	UR
	4H7-17537-00-40	SHIM, THRUST (0.40T)	1	1	1	1	1	UR
28	93211-51749	O-RING	1	1	1	1	1	
29	93306-20717	BEARING	1	1	1	1	1	
30	4H7-17537-00-20	SHIM, THRUST (0.20T)	1	1	1	1	1	UR
	4H7-17537-00-30	SHIM, THRUST (0.30T)	1	1	1	1	1	UR
	4H7-17537-00-40	SHIM, THRUST (0.40T)	1	1	1	1	1	UR
31	97027-08025	BOLT	6	6	6	6	6	
32	92907-08600	WASHER, PLATE	6	6	6	6	6	
33	97027-10045	BOLT	2	2	2	2	2	
34	92907-10600	WASHER, PLATE	2	2	2	2	2	
35	93102-35380	OIL SEAL	2	2	2	2	2	
36	2N4-15371-00	BREATHER	1	1	1	1	1	
37	90340-14046	PLUG, STRAIGHT SCREW	1	1	1	1	1	
38	214-11198-01	GASKET	2	2	2	2	2	
39	90340-14029	PLUG, STRAIGHT SCREW	1	1	1	1	1	
40	90445-07665	HOSE	1	1	1	1	1	
41	90467-07029	CLIP	1	1	1	1	1	
42	4KD-46107-00	CROSS JOINT COMP. 2	1				1	
	4KD-46107-10	CROSS JOINT COMP. 2		1	1	1		
43	93399-99926	BEARING	2	2	2	2	2	

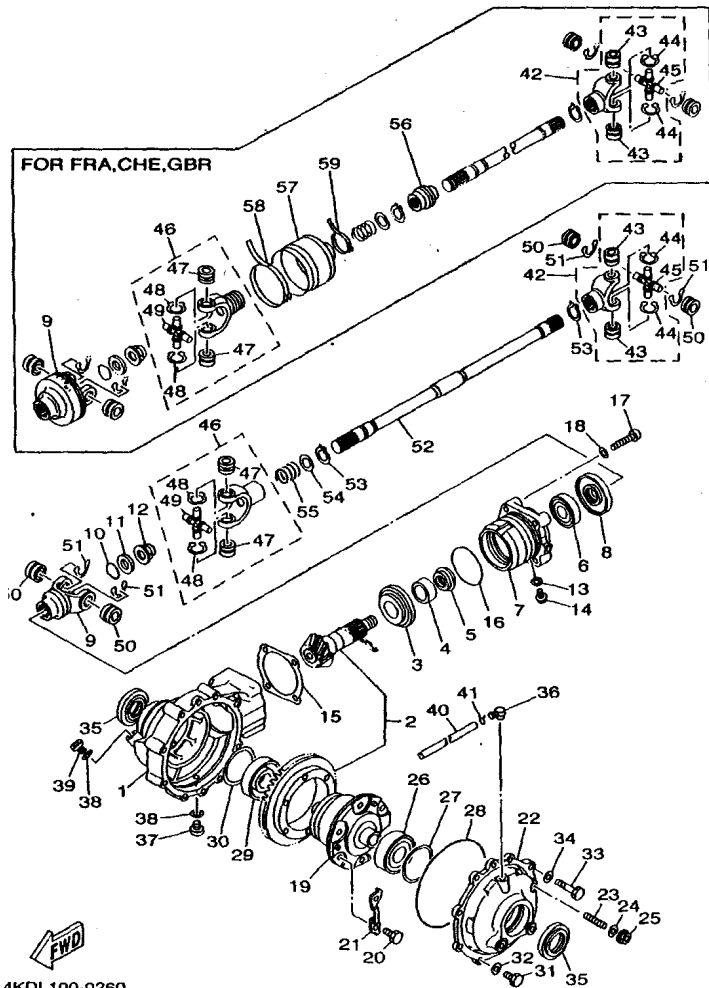
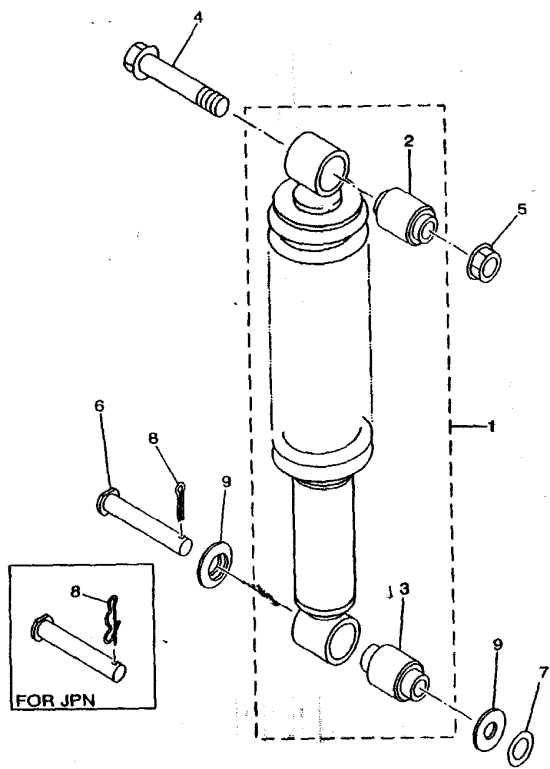


FIG. 26 FRONT DIFFERENTIAL

REF. NO.	PART NO.	DESCRIPTION	L49	FRA	CHE	GBR	UPN	REMARKS
44	93440-20088	CIRCLIP	2	2	2	2	2	
45	2HR-46187-00	SPIDER	1				1	
	4KD-46187-00	SPIDER		1	1	1		
46	3HN-46108-00	CROSS JOINT COMP. 3	1				1	
	4GB-46108-10	CROSS JOINT COMP. 3		1	1	1		
47	93399-99926	BEARING	2	2	2	2	2	
48	93440-20088	CIRCLIP	2	2	2	2	2	
49	2HR-46187-00	SPIDER	1	1	1	1	1	
50	93399-99926	BEARING	4	4	4	4	4	
51	93440-20088	CIRCLIP	4	4	4	4	4	
52	4KD-46173-00	SHAFT, DRIVE 2	1	1	1	1	1	
53	93410-22039	CIRCLIP	2	2	2	2	2	
54	90201-225M9	WASHER, PLATE	1	1	1	1	1	
55	90501-234F8	SPRING, COMPRESSION	1	1	1	1	1	
56	4GB-46136-10	SEAL 1		1	1	1		
57	4GB-46136-02	SEAL 1		1	1	1		
58	90450-78077	HOSE CLAMP ASSY		1	1	1		
59	90450-35069	HOSE CLAMP ASSY		1	1	1		

D12

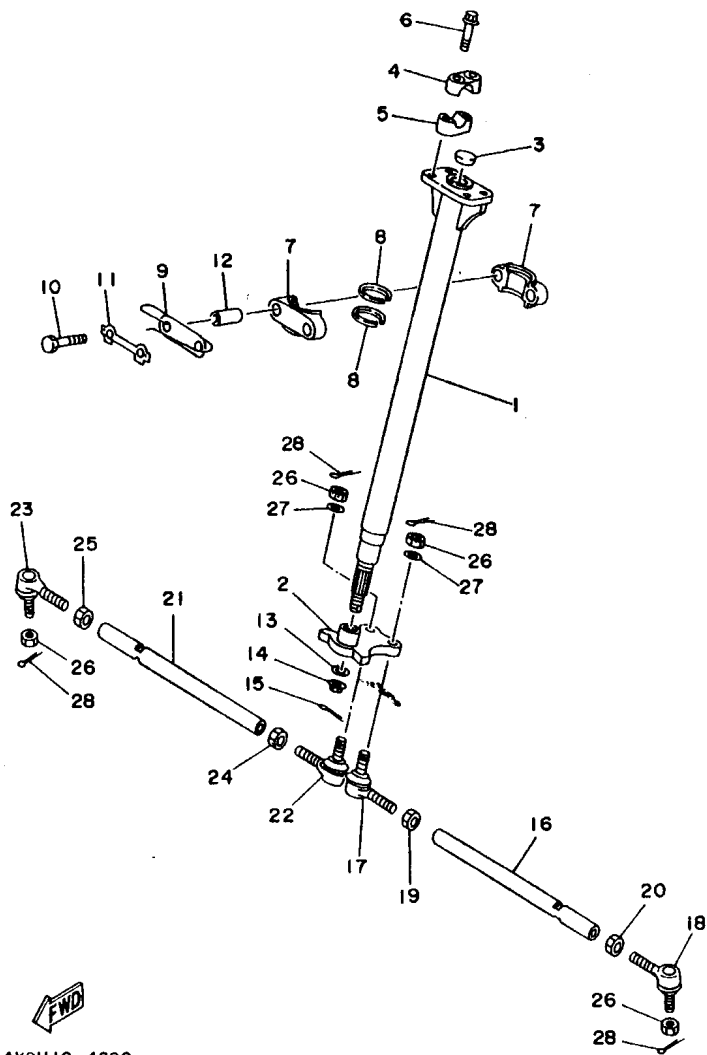
FIG. 27 REAR SUSPENSION



REF. NO.	PART NO.	DESCRIPTION	USA	FRA	CHE	GBR	JPN	REMARKS
1	4BD-22210-20-33	SHOCK ABSORBER ASSY, REAR	1	1	1	1	1	YB
2	24R-22216-00	.BUSH, REAR SHOCK ABSORBER	1	1	1	1	1	
3	2VA-22226-00	.BUSH, SHOCK ABSORBER LOWER	1	1	1	1	1	
4	90105-12425	BOLT, WASHER BASED	1	1	1	1	1	
5	90185-12072	NUT, SELF-LOCKING	1	1	1	1	1	
6	90240-12092	PIN, CLEVIS	1	1	1	1	1	
7	90201-127J6	WASHER, PLATE	1	1	1	1	1	
8	90468-20196	CLIP					1	
	91401-30025	PIN, COTTER	1	1	1	1	1	
9	1W1-22128-00	COVER, THRUST 1	2	2	2	2	2	


4KDL100-0270

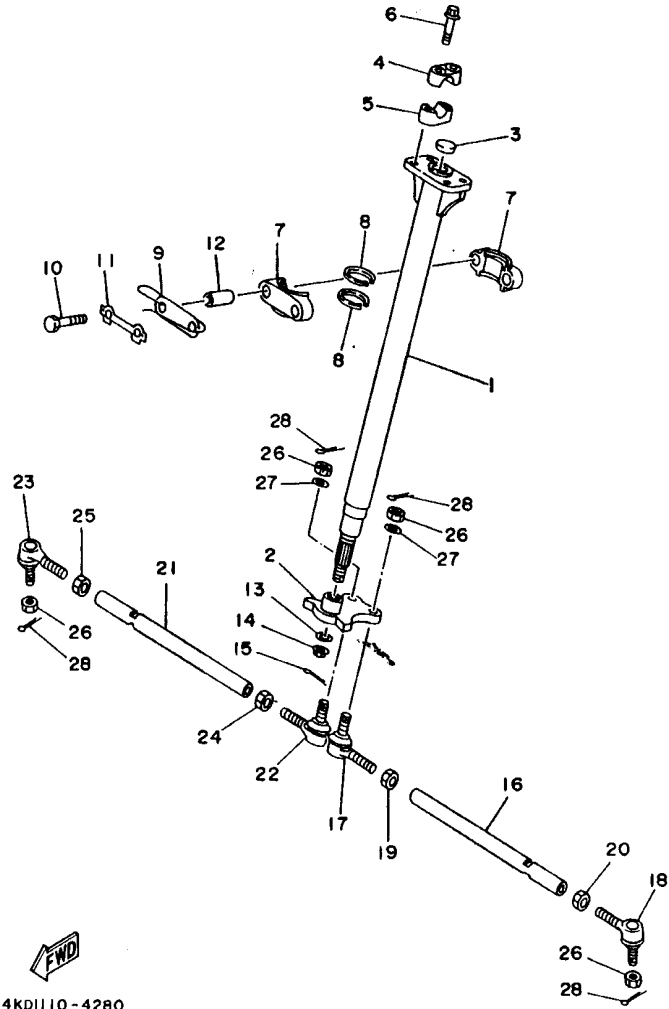
FIG. 28 STEERING



4KD1110-4280

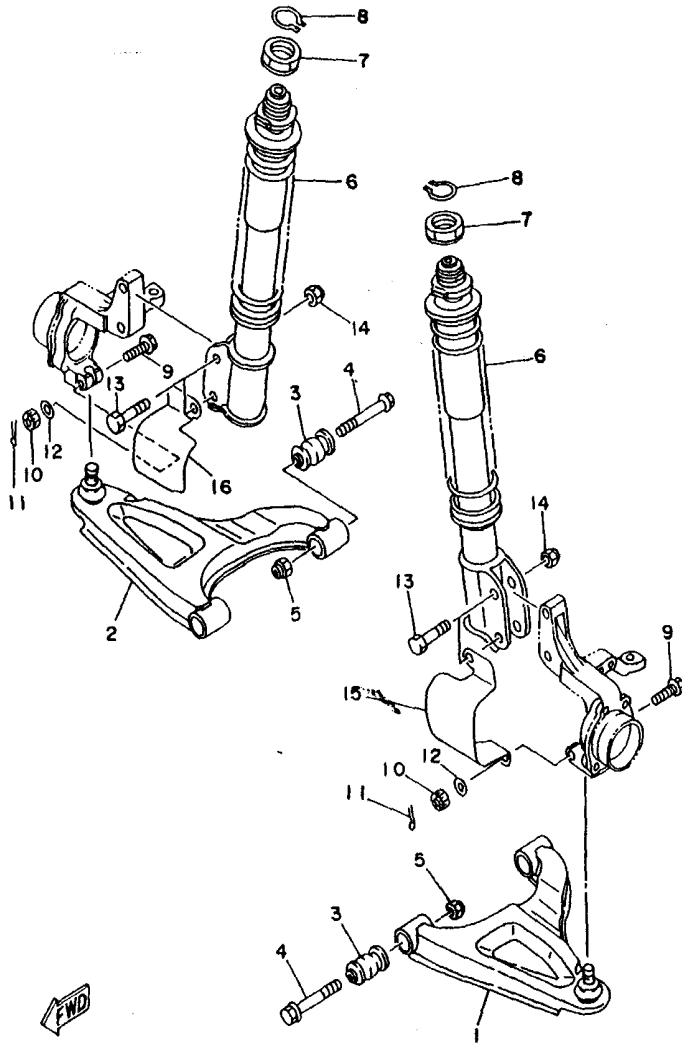
REF. NO.	PART NO.	DESCRIPTION	J49	FRA	CHE	GBR	JPN	REMARKS
1	4KD-23813-01	COLUMN, STEERING 2	1	1	1	1	1	
2	4KD-23816-00	ARM, PITMAN	1	1	1	1	1	
3	90336-28053	PLUG, TAPER	1	1	1	1	1	
4	8K1-23814-00	HOLDER, HANDLE	2	2	2	2	2	
5	8G5-23814-00	HOLDER, HANDLE UNDER	1	1	1	1	1	
6	95827-08050	BOLT, FLANGE	4	4	4	4	4	
7	1UY-23812-00	PLANE BEARING, STEERING	2	2	2	2	2	
8	93112-31011	OIL SEAL	2	2	2	2	2	
9	4BD-23868-00	BRACKET, STEERING LOWER	1	1	1	1	1	
10	97027-08060	BOLT	2	2	2	2	2	
11	1UY-23894-01	WASHER, LOCK 1	1	1	1	1	1	
12	90387-090R0	COLLAR	2	2	2	2	2	
13	90201-122H1	WASHER, PLATE	1	1	1	1	1	
14	90185-12080	NUT, SELF-LOCKING	1	1	1	1	1	
15	90468-16191	CLIP	1	1	1	1	1	
16	2HR-23831-01	ROD, TIE	1	1	1	1	1	
17	59V-23841-01	JOINT, UNIVERSAL 1	1	1	1	1	1	
18	59V-23845-01	JOINT, UNIVERSAL 2	1	1	1	1	1	
19	95307-10700	NUT	1	1	1	1	1	
20	90170-10186	NUT	1	1	1	1	1	(L.H. THREAD)
21	2HR-23831-01	ROD, TIE	1	1	1	1	1	
22	59V-23841-01	JOINT, UNIVERSAL 1	1	1	1	1	1	
23	59V-23845-01	JOINT, UNIVERSAL 2	1	1	1	1	1	
24	95307-10700	NUT	1	1	1	1	1	
25	90170-10186	NUT	1	1	1	1	1	(L.H. THREAD)
26	90171-10004	NUT, CASTLE	4	4	4	4	4	
27	92990-10600	WASHER, PLATE	2	2	2	2	2	

FIG. 28 STEERING



REF. NO.	PART NO.	DESCRIPTION	U49	FRA	CHE	GBR	JPN	REMARKS
28	91401-20020	PIN, COTTER	4	4	4	4	4	

FIG. 29 FRONT SUSPENSION. WHEEL



4KD4100-5290

REF. NO.	PART NO.	DESCRIPTION	U49	FRA	CHE	GBR	JPN	REMARKS
1	4KD-23570-02	FRONT LOWER ARM COMP. (LEFT)	1	1	1	1	1	
2	4KD-23580-02	FRONT LOWER ARM COMP. (RIGHT)	1	1	1	1	1	
3	2HR-23526-00	BUSH	4	4	4	4	4	
4	90105-10253	BOLT, WASHER BASED	4	4	4	4	4	
5	90185-10060	NUT, SELF-LOCKING	4	4	4	4	4	
6	4KD-23350-10-33	SHOCK ABSORBER ASSY	2	2	2	2	2	YB
7	90179-35625	NUT	2	2	2	2	2	
8	93410-32075	CIRCLIP	2	2	2	2	2	
9	90105-10728	BOLT, WASHER BASED	2	2	2	2	2	
10	95337-10600	NUT	2	2	2	2	2	
11	91401-20020	PIN, COTTER	2	2	2	2	2	
12	90201-10430	WASHER, PLATE	2	2	2	2	2	
13	90101-12570	BOLT	4	4	4	4	4	
14	95617-12100	NUT, U	4	4	4	4	4	
15	4KD-2331M-00	COVER, RING	1	1	1	1	1	
16	4KD-2331N-00	COVER, RING	1	1	1	1	1	

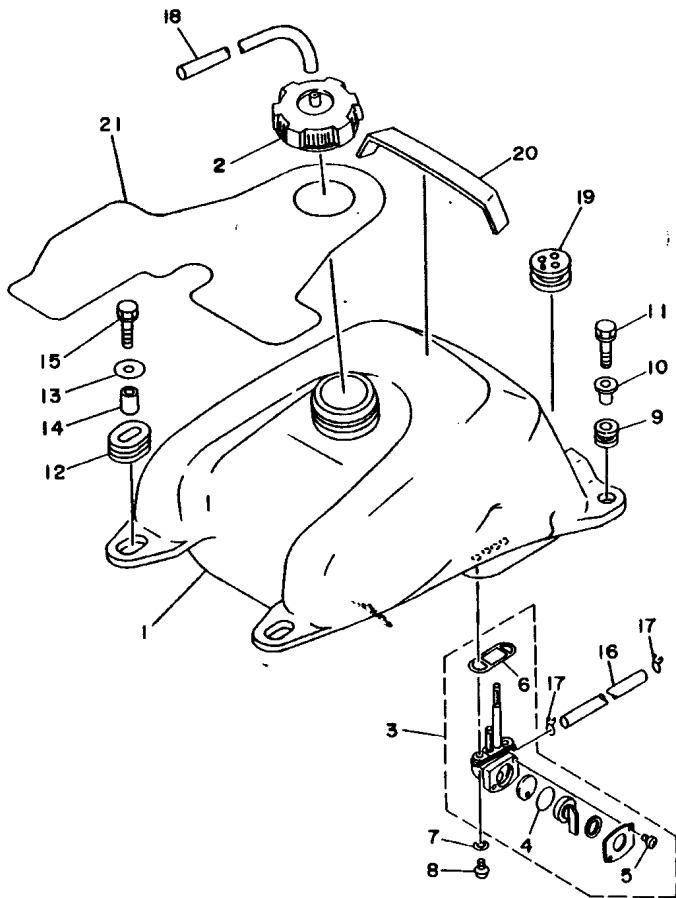
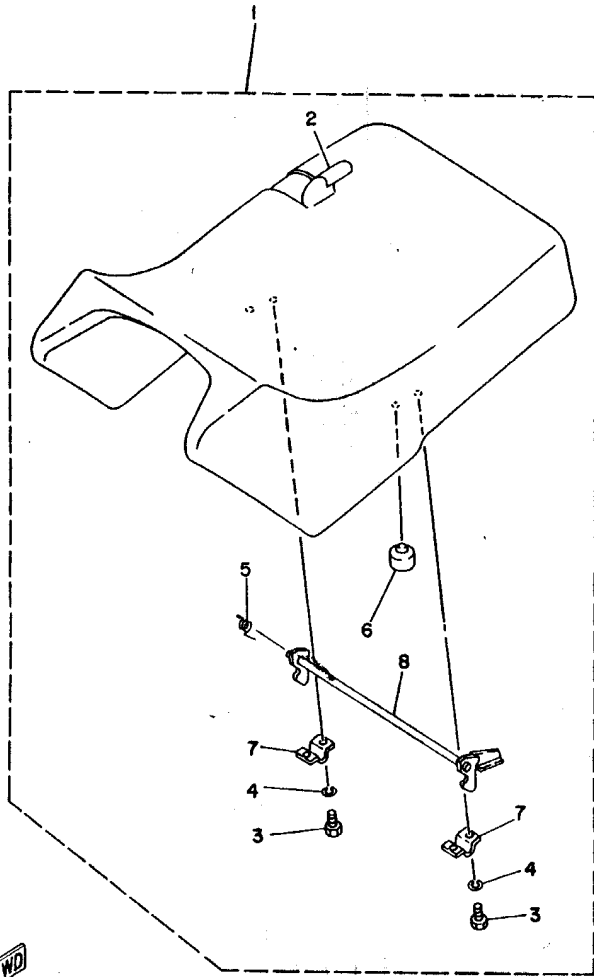


FIG. 30 FUEL TANK

REF. NO.	PART NO.	DESCRIPTION	U49	FPA	CHE	GBR	JPN	REMARKS
1	4BD-24110-02	FUEL TANK COMP.	1	1	1	1	1	
2	1UY-24610-00	CAP ASSY	1	1	1	1	1	
3	3JN-24500-00	FUEL COCK ASSY 1	1	1	1	1	1	
4	3AJ-24534-00	.SEAL, COCK	1	1	1	1	1	
5	97801-03008	.SCREW, PAN HEAD	2	2	2	2	2	
6	4X8-24512-00	.O-RING	1	1	1	1	1	
7	90202-05193	WASHER, PLATE	2	2	2	2	2	
8	90149-06011	SCREW	2	2	2	2	2	
9	90480-18290	GROMMET	2	2	2	2	2	
10	90387-066H4	COLLAR	2	2	2	2	2	
11	90119-06073	BOLT, WITH WASHER	2	2	2	2	2	
12	90480-01400	GROMMET	2	2	2	2	2	
13	90201-060L5	WASHER, PLATE	2	2	2	2	2	
14	90387-07598	COLLAR	2	2	2	2	2	
15	90119-06073	BOLT, WITH WASHER	2	2	2	2	2	
16	90445-113E8	HOSE	1	1	1	1	1	
17	90467-10008	CLIP	2	2	2	2	2	
18	90445-084J2	HOSE	1	1	1	1	1	
19	4BD-24339-00	GROMMET	1	1	1	1	1	
20	4BD-24181-00	DAMPER, LOCATING 1	1	1	1	1	1	
21	4BD-2414H-00	DAMPER, PLATE 1	1	1	1	1	1	

FWD
4BD1110-2280

FIG. 31 SEAT



REF. NO.	PART NO.	DESCRIPTION	USA	FRA	CHE	GBR	JPN	REMARKS
1	4BD-24710-70	SINGLE SEAT ASSY	1	1	1	1	1	YAMAHA BLACK
2	4BD-24731-70	.COVER, SEAT	1	1	1	1	1	YAMAHA BLACK
3	97007-06016	.BOLT	2	2	2	2	2	
4	92907-06100	.WASHER, SPRING	2	2	2	2	2	
5	90508-23567	.SPRING, TORSION	1	1	1	1	1	
6	371-27114-00	.STOPPER, MAIN STAND	2	2	2	2	2	
7	59V-24775-00	.BRACKET, SEAT LEVER	2	2	2	2	2	
8	4BD-24776-01	.LEVER, SEAT	1	1	1	1	1	


48D1110-2290

E4

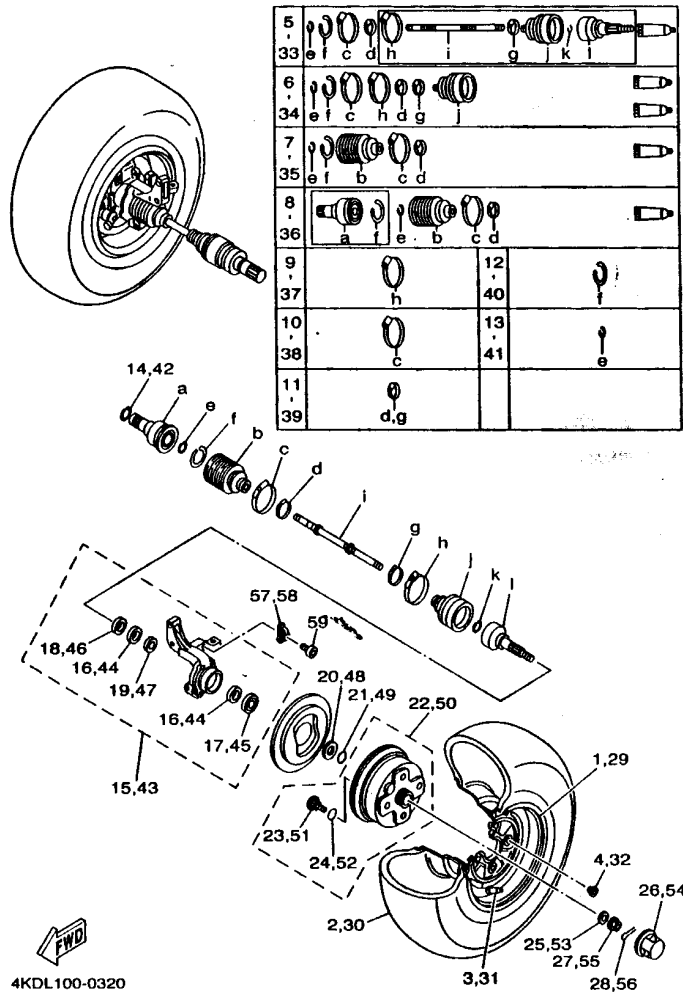


FIG. 32 FRONT WHEEL

REF. NO.	PART NO.	DESCRIPTION	USA	FRA	CHE	GBR	JPN	REMARKS
1	4KD-25180-00-35	WHEEL COMP.	1	1	1	1	1	SL
2	94108-1002G	TIRE (AT23X8-10 KT401)	1	1	1	1	1	DUNLOP
3	93900-00022	VALVE, RIM	1	1	1	1	1	TAIHEIYO
4	90179-10540	NUT	4	4	4	4	4	
5	4KD-2510F-01	BALL JOINT SET	1	1	1	1	1	
6	3HN-2510G-00	BOOT SET (BALL JOINT)	1	1	1	1	1	
7	3HN-2510H-00	BOOT SET (DOUBLE OFFSET JOINT)	1	1	1	1	1	
8	3HN-2510J-00	DOUBLE OFF SET JOINT	1	1	1	1	1	
9	2HR-2511G-00	BOOT BAND (BALL JOINT)	1	1	1	1	1	
10	3HN-2511H-00	BOOT BAND (DOUBLE OFFSET JOINT)	1	1	1	1	1	
11	2HR-2512G-00	BOOT BAND (SMALL)	2	2	2	2	2	
12	2HR-2512H-00	CIRCLIP	1	1	1	1	1	
13	2HR-2512J-00	SNAP RING	1	1	1	1	1	
14	93450-22119	CIRCLIP	1	1	1	1	1	
15	4KD-23501-01	STEERING, KNUCKLE ASSY (LEFT)	1	1	1	1	1	
16	93306-00615	BEARING	2	2	2	2	2	
17	93106-38046	OIL SEAL	1	1	1	1	1	
18	93106-38047	OIL SEAL	1	1	1	1	1	
19	90560-30325	SPACER	1	1	1	1	1	
20	90387-281V8	COLLAR	1	1	1	1	1	
21	93210-26606	O-RING	1	1	1	1	1	
22	3HN-25111-10	HUB, FRONT	1	1	1	1	1	
23	90114-10012	BOLT, SERRATION	4	4	4	4	4	
24	93210-12131	O-RING	4	4	4	4	4	
25	90201-162L6	WASHER, PLATE	1	1	1	1	1	
26	5GT-2512A-00	CAP, WHEEL	1	1	1	1	1	
27	90171-16048	NUT, CASTLE	1	1	1	1	1	

E5

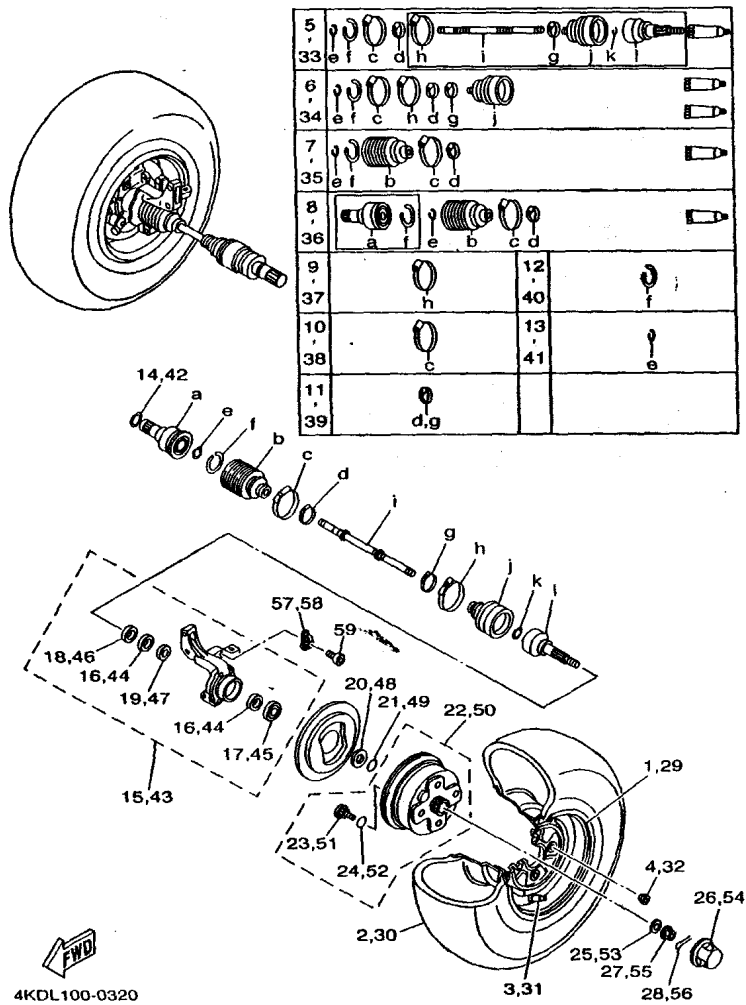
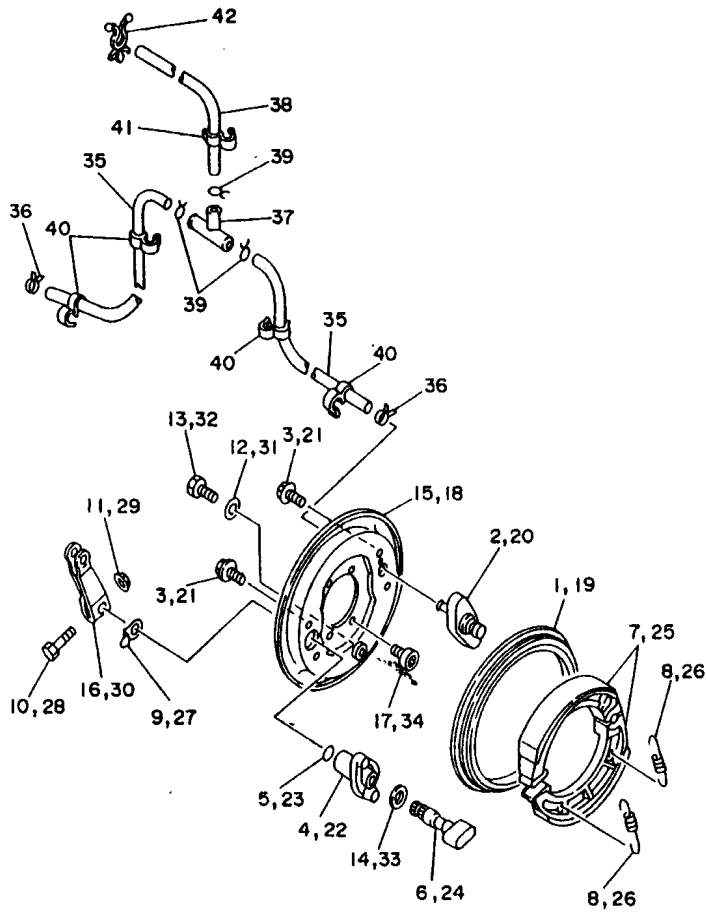


FIG. 32 FRONT WHEEL

REF. NO.	PART NO.	DESCRIPTION	USA	FRA	CHE	GBR	JPN	REMARKS
28	91401-30030	PIN, COTTER	1	1	1	1	1	
29	4KD-25180-00-35	WHEEL COMP.	1	1	1	1	1	SL
30	94108-1002G	TIRE (AT23X8-10 KT401)	1	1	1	1	1	DUNLOP
31	93900-00022	VALVE, RIM	1	1	1	1	1	TAIHEIYO
32	90179-10540	NUT	4	4	4	4	4	
33	4KD-2510F-01	BALL JOINT SET	1	1	1	1	1	
34	3HN-2510G-00	BOOT SET (BALL JOINT)	1	1	1	1	1	
35	3HN-2510H-00	BOOT SET (DOUBLE OFFSET JOINT)	1	1	1	1	1	
36	3HN-2510J-00	DOUBLE OFF SET JOINT	1	1	1	1	1	
37	2HR-2511G-00	BOOT BAND (BALL JOINT)	1	1	1	1	1	
38	3HN-2511H-00	BOOT BAND (DOUBLE OFFSET JOINT)	1	1	1	1	1	
39	2HR-2512G-00	BOOT BAND (SMALL)	2	2	2	2	2	
40	2HR-2512H-00	CIRCLIP	1	1	1	1	1	
41	2HR-2512J-00	SNAP RING	1	1	1	1	1	
42	93450-22119	CIRCLIP	1	1	1	1	1	
43	4KD-23502-01	STEERING, KNUCKLE ASSY (RIGHT)	1	1	1	1	1	
44	93306-00615	.BEARING	2	2	2	2	2	
45	93106-38046	.OIL SEAL	1	1	1	1	1	
46	93106-38047	.OIL SEAL	1	1	1	1	1	
47	90560-30325	.SPACER	1	1	1	1	1	
48	90387-281V8	COLLAR	1	1	1	1	1	
49	93210-26606	O-RING	1	1	1	1	1	
50	3HN-25111-10	HUB, FRONT	1	1	1	1	1	
51	90114-10012	.BOLT, SERRATION	4	4	4	4	4	
52	93210-12131	.O-RING	4	4	4	4	4	
53	90201-162L6	WASHER, PLATE	1	1	1	1	1	
54	5GT-2512A-00	CAP, WHEEL	1	1	1	1	1	

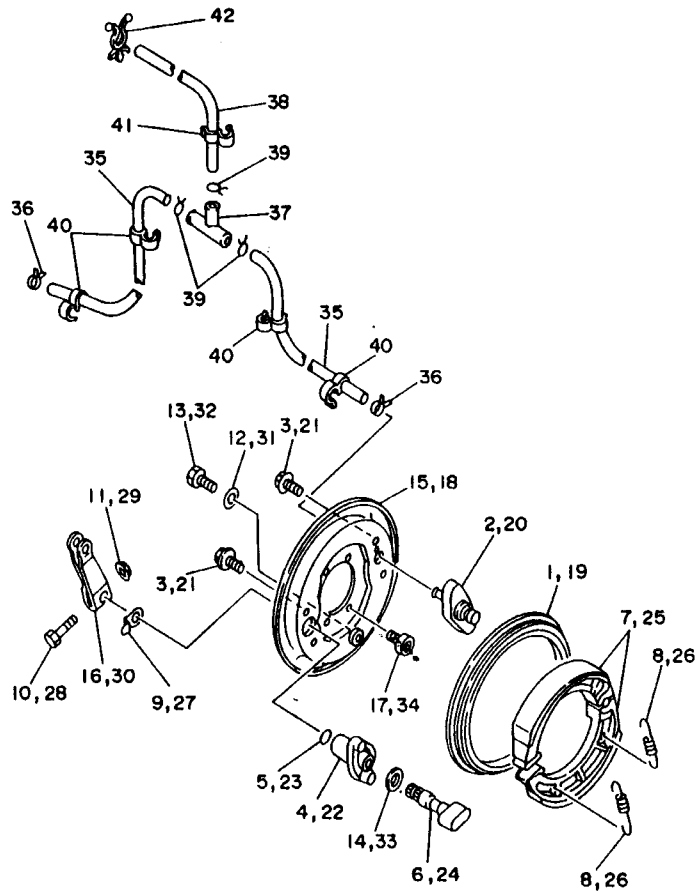
E6



FWD
4KD1110-4320

REF. NO.	PART NO.	DESCRIPTION	U49	FRA	CHE	GBR	JPN	REMARKS
1	3GH-25129-00	SEAL, PLATE DUST	1	1	1	1	1	
2	3GH-27206-00	ANCHOR BODY COMP.	1	1	1	1	1	
3	95812-06012	BOLT, FLANGE	4	4	4	4	4	
4	3GH-2512E-00	BRACKET, CAM	1	1	1	1	1	
5	93210-14104	O-RING	1	1	1	1	1	
6	3GH-25151-00	CAMSHAFT	1	1	1	1	1	
7	4BD-W2536-01	BRAKE SHOE SET	1	1	1	1	1	
8	2NL-25133-00	SPRING, RETURN	2	2	2	2	2	
9	3GH-2513A-00	PLATE, INDICATOR	1	1	1	1	1	
10	90101-06852	BOLT	1	1	1	1	1	
11	95701-06500	NUT, FLANGE	1	1	1	1	1	
12	3GH-25898-00	GASKET	1	1	1	1	1	
13	3GH-25818-00	BOLT, CALIPER	1	1	1	1	1	
14	2NL-25153-00	WASHER	1	1	1	1	1	
15	4BD-27280-00	BACKING PLATE ASSY 1	1	1	1	1	1	
16	4KD-25155-00	LEVER, CAMSHAFT 1	1	1	1	1	1	
17	91317-08016	BOLT	4	4	4	4	4	
18	4KD-27280-00	BACKING PLATE ASSY 1	1	1	1	1	1	
19	3GH-25129-00	SEAL, PLATE DUST	1	1	1	1	1	
20	3GH-27206-00	ANCHOR BODY COMP.	1	1	1	1	1	
21	98512-06012	SCREW, PAN HEAD	4	4	4	4	4	
22	3GH-2512E-00	BRACKET, CAM	1	1	1	1	1	
23	93210-14104	O-RING	1	1	1	1	1	
24	3GH-25151-00	CAMSHAFT	1	1	1	1	1	
25	4BD-W2536-00	BRAKE SHOE SET	1	1	1	1	1	
26	2NL-25133-00	SPRING, RETURN	2	2	2	2	2	
27	3GH-2513A-00	PLATE, INDICATOR	1	1	1	1	1	

FIG. 33 FRONT BRAKE



4KD1110-4320

REF. NO.	PART NO.	DESCRIPTION	U49	FRA	CHE	GBR	JPN	REMARKS
28	90101-06652	BOLT	1	1	1	1	1	
29	95701-06500	NUT, FLANGE	1	1	1	1	1	
30	4KD-25156-00	LEVER, CAMSHAFT 2	1	1	1	1	1	
31	3GH-25898-00	GASKET	1	1	1	1	1	
32	3GH-25818-00	BOLT, CALIPER	1	1	1	1	1	
33	2NL-25153-00	WASHER	1	1	1	1	1	
34	91317-08016	BOLT	4	4	4	4	4	
35	90445-07665	HOSE	2	2	2	2	2	
36	90467-07093	CLIP	2	2	2	2	2	
37	90413-05014	WAY 3	1	1	1	1	1	
38	90445-07040	HOSE	1	1	1	1	1	
39	90467-08021	CLIP	3	3	3	3	3	
40	90468-15020	CLIP	4	4	4	4	4	
41	90468-15139	CLIP	2	2	2	2	2	
42	90464-07078	CLAMP	1	1	1	1	1	

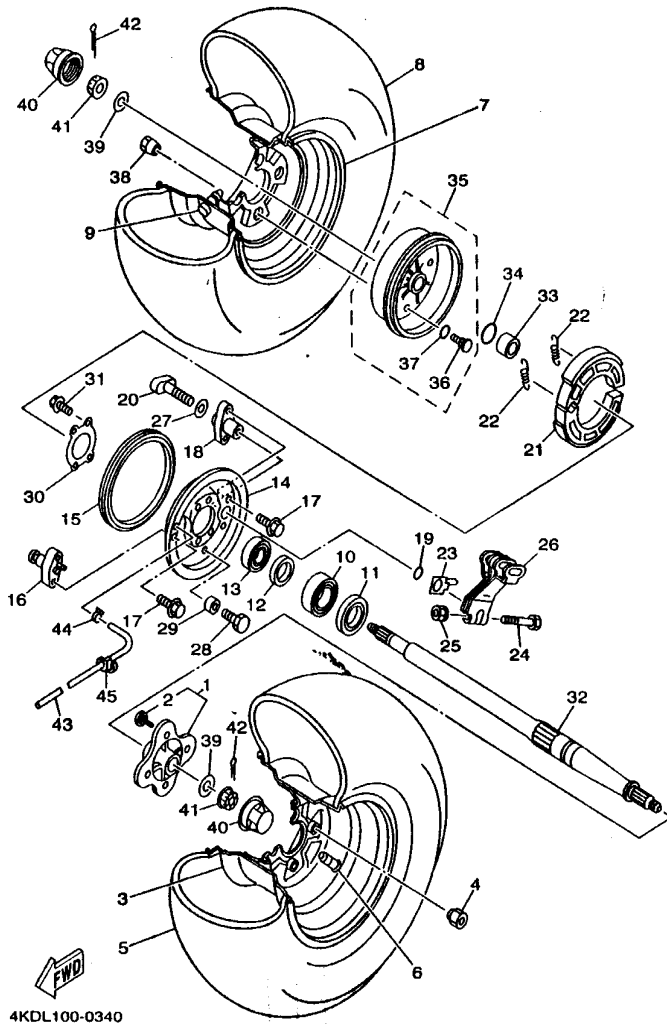
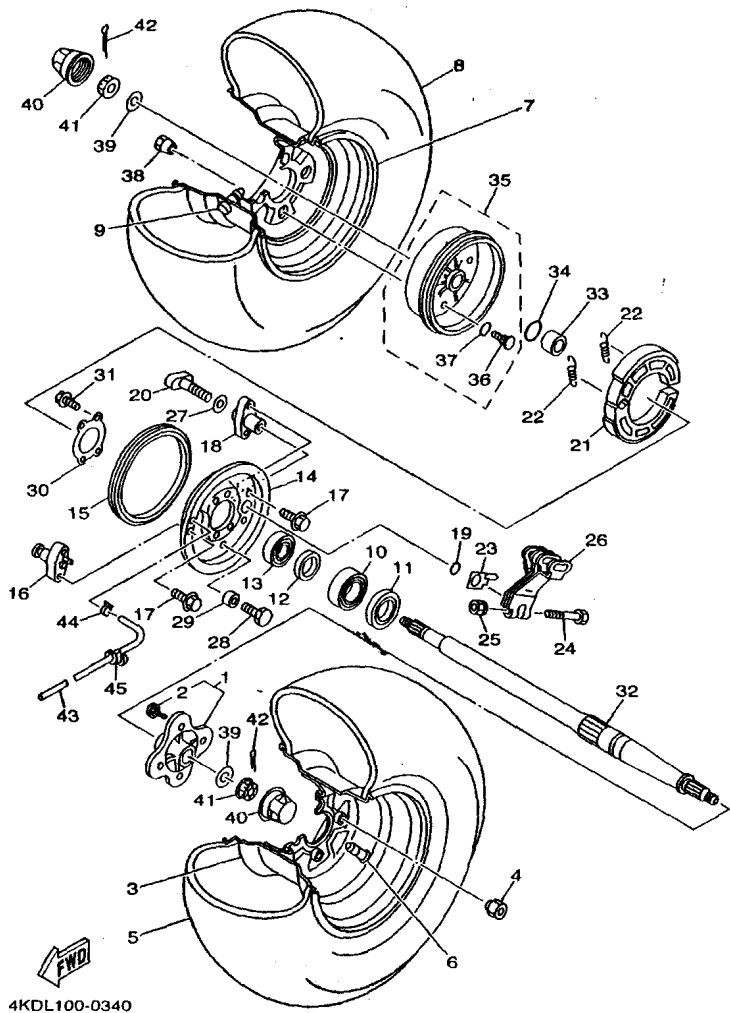


FIG. 34 REAR WHEEL

REF. NO.	PART NO.	DESCRIPTION	J49	FRA	CHE	GBR	JPN	REMARKS
1	2HR-25383-01	COLLAR, WHEEL	1	1	1	1	1	
2	90114-10010	.BOLT, SERRATION	4	4	4	4	4	
3	4BD-25390-00-35	REAR WHEEL COMP.	1	1	1	1	1	SL
4	90179-10540	NUT	4	4	4	4	4	
5	94110-1002H	TIRE (AT23X10-10 KT405)	1	1	1	1	1	DUNLOP
6	93900-00022	VALVE, RIM	1	1	1	1	1	TAIHEIYO
7	4BD-25390-00-35	REAR WHEEL COMP.	1	1	1	1	1	SL
8	94110-1002H	TIRE (AT23X10-10 KT405)	1	1	1	1	1	DUNLOP
9	93900-00022	VALVE, RIM	1	1	1	1	1	TAIHEIYO
10	93306-00804	BEARING	1	1	1	1	1	
11	93106-42038	OIL SEAL	1	1	1	1	1	
12	93101-35097	OIL SEAL	1	1	1	1	1	
13	93306-20531	BEARING	1	1	1	1	1	
14	4BD-27280-00	BACKING PLATE ASSY 1	1	1	1	1	1	
15	3GH-25129-00	SEAL, PLATE DUST	1	1	1	1	1	
16	3GH-27206-00	ANCHOR BODY COMP.	1	1	1	1	1	
17	95812-08012	BOLT, FLANGE	4	4	4	4	4	
18	3GH-2512E-00	BRACKET, CAM	1	1	1	1	1	
19	93210-14104	O-RING	1	1	1	1	1	
20	3GH-25151-00	CAMSHAFT	1	1	1	1	1	
21	4BD-W2536-00	BRAKE SHOE SET	1	1	1	1	1	
22	2NL-25133-00	SPRING, RETURN	2	2	2	2	2	
23	3GH-2513A-00	PLATE, INDICATOR	1	1	1	1	1	
24	90101-08652	BOLT	1	1	1	1	1	
25	95701-06500	NUT, FLANGE	1	1	1	1	1	
26	4BD-25355-00	LEVER, CAMSHAFT	1	1	1	1	1	
27	3GH-25898-00	GASKET	1	1	1	1	1	

FIG. 34 REAR WHEEL



4KDL100-0340

REF. NO.	PART NO.	DESCRIPTION	U49	FRA	CHE	GBR	JPN	REMARKS
28	3GH-25818-00	BOLT, CALIPER	1	1	1	1	1	
29	2NL-25153-00	WASHER	1	1	1	1	1	
30	4BD-46513-00	RETAINER	1	1	1	1	1	
31	95817-08020	BOLT, FLANGE	4	4	4	4	4	
32	4BD-25381-11	AXLE, WHEEL	1	1	1	1	1	
33	4BD-25377-00	COLLAR, WHEEL	1	1	1	1	1	
34	93210-26606	O-RING	1	1	1	1	1	
35	3HN-25111-10	HUB, FRONT	1	1	1	1	1	
36	90114-10012	BOLT, SERRATION	4	4	4	4	4	
37	93210-12131	O-RING	4	4	4	4	4	
38	90179-10540	NUT	4	4	4	4	4	
39	90201-162L6	WASHER, PLATE	2	2	2	2	2	
40	5GT-2512A-00	CAP, WHEEL	2	2	2	2	2	
41	90171-16048	NUT, CASTLE	2	2	2	2	2	
42	91401-30030	PIN, COTTER	2	2	2	2	2	
43	90445-073H2	HOSE	1	1	1	1	1	
44	90467-07093	CLIP	1	1	1	1	1	
45	90468-15139	CLIP	1	1	1	1	1	

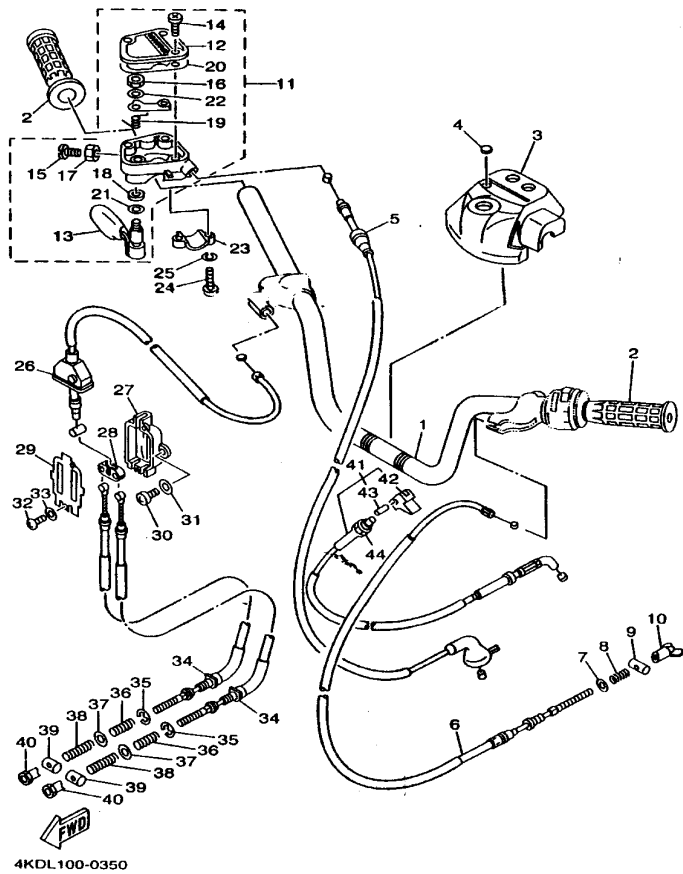
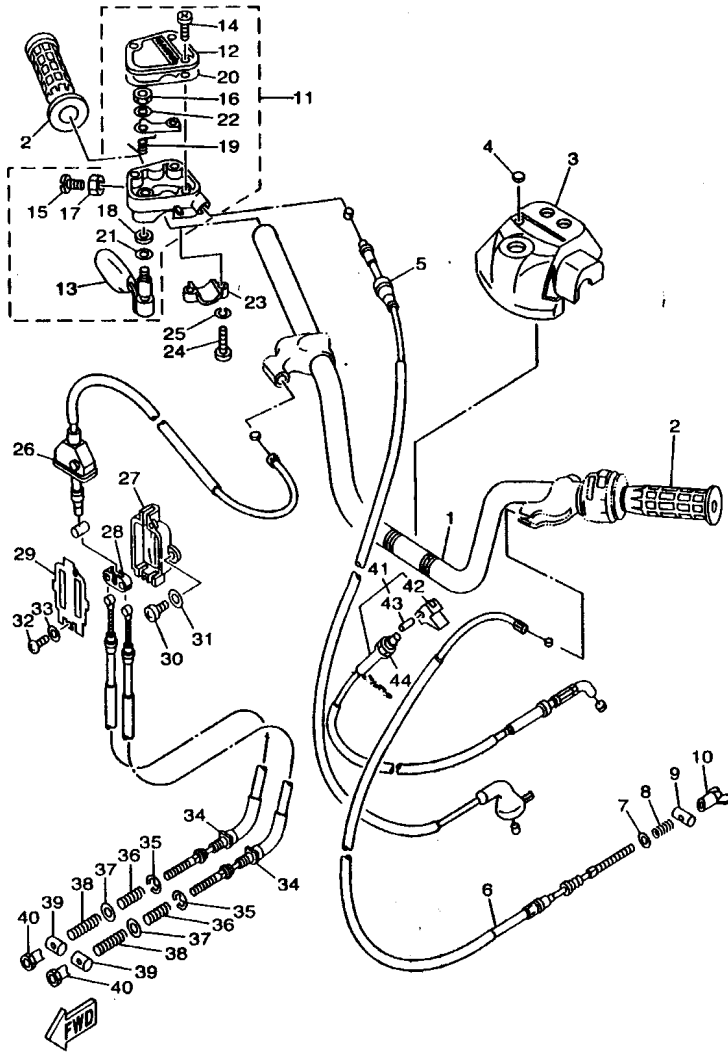


FIG. 35 STEERING HANDLE. CABLE

REF. NO.	PART NO.	DESCRIPTION	USA	FRA	CHE	GBF	JPN	REMARKS
1	3FA-26111-00	HANDLEBAR	1	1	1	1	1	
2	3GB-26241-00	GRIP (LEFT)	2	2	2	2	2	
3	4BD-26124-01	PROTECTOR, HANDLEBAR	1	1	1	1	1	
4	5GT-2836B-00	TUNING FORK MARK	1	1	1	1	1	
5	4KD-26311-01	CABLE, THROTTLE 1	1	1	1	1	1	
6	4KD-26341-00	CABLE, BRAKE	1	1	1	1	1	
7	90202-08175	WASHER, PLATE	1	1	1	1	1	
8	90501-122E1	SPRING, COMPRESSION	1	1	1	1	1	
9	90249-12008	1"IN	1	1	1	1	1	
10	20E-26343-00	NUT, ADJUSTING	1	1	1	1	1	
11	1NV-26250-01	THROTTLE LEVER ASSY	1	1	1	1	1	
12	1NV-2628F-00	.CAP, GEAR	1	1	1	1	1	
13	1NV-2625G-01	.LEVER, THROTTLE	1	1	1	1	1	
14	98507-05012	.SCREW, PAN HEAD	3	3	3	3	3	
15	98507-05020	.SCREW, PAN HEAD	1	1	1	1	1	
16	95607-05100	.NUT, U	1	1	1	1	1	
17	95307-05700	.NUT	1	1	1	1	1	
18	93104-09025	.OIL SEAL	1	1	1	1	1	
19	1NV-26304-00	.SPRING	1	1	1	1	1	
20	1NV-2628G-00	.GASKET	1	1	1	1	1	
21	1NV-26129-00	.WASHER	1	1	1	1	1	
22	1NV-26398-00	.WASHER	1	1	1	1	1	
23	4V4-82913-00	HOLDER, LEVER LOWER 1	1	1	1	1	1	
24	98507-05020	SCREW, PAN HEAD	2	2	2	2	2	
25	92907-05100	WASHER, SPRING	2	2	2	2	2	
26	4BD-26373-01	CABLE, BRAKE 4	1	1	1	1	1	
27	52H-26371-00	HOUSING, BRAKE LINK	1	1	1	1	1	

E12

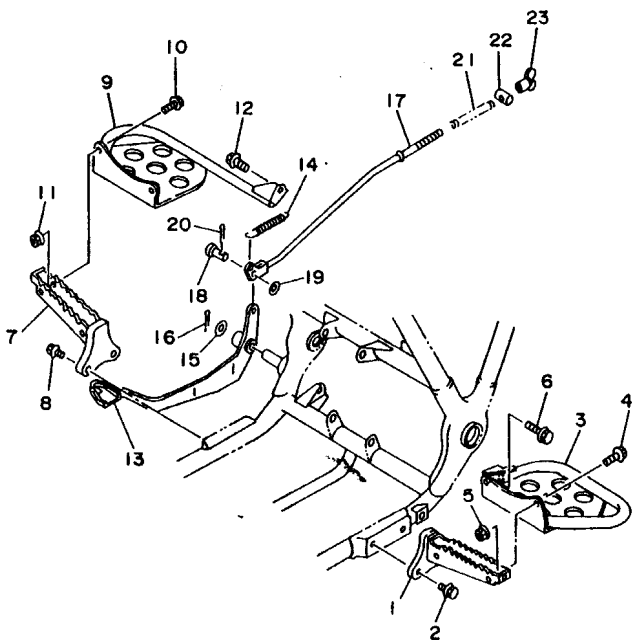
FIG. 35 STEERING HANDLE. CABLE



4KDL100-0350

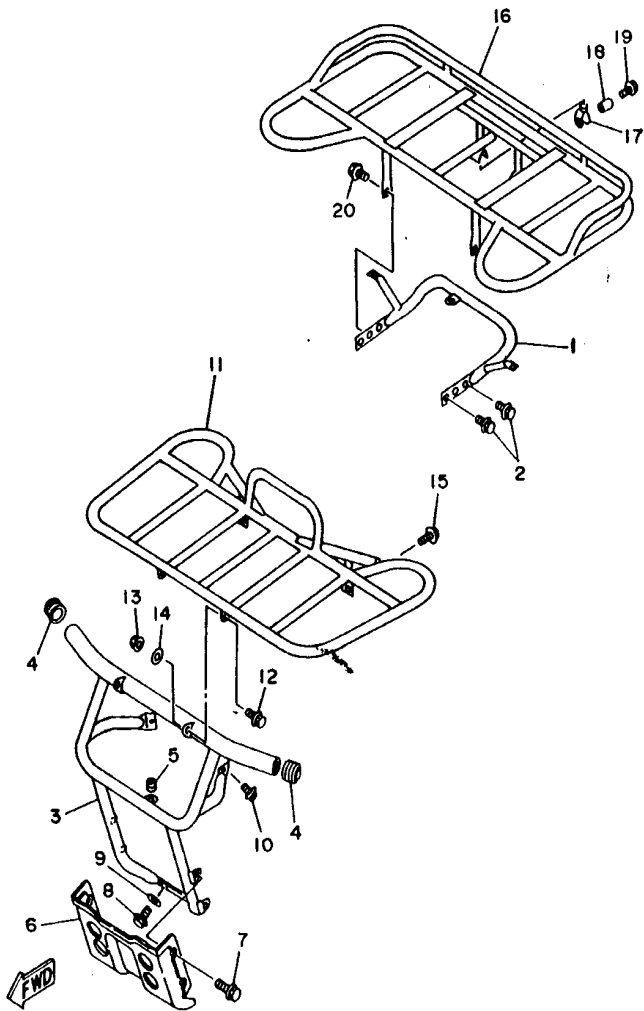
REF. NO.	PART NO.	DESCRIPTION	U49	FRA	CHE	GBR	JPN	REMARKS
28	52H-26347-01	JOINT, CABLE	1	1	1	1	1	
29	52H-2631G-00	PLATE	1	1	1	1	1	
30	98507-03008	SCREW, PAN HEAD	2	2	2	2	2	
31	92907-03600	WASHER	2	2	2	2	2	
32	98507-05016	SCREW, PAN HEAD	2	2	2	2	2	
33	92907-05600	WASHER, PLATE	2	2	2	2	2	
34	4KD-26361-01	CABLE, BRAKE	2	2	2	2	2	
35	99001-06600	CIRCLIP	2	2	2	2	2	
36	90501-123A0	SPRING, COMPRESSION	2	2	2	2	2	
37	90209-06265	WASHER	2	2	2	2	2	
38	90501-10782	SPRING, COMPRESSION	2	2	2	2	2	
39	90249-12008	PIN	2	2	2	2	2	
40	90179-06411	NUT	2	2	2	2	2	
41	4BD-26331-00	CABLE, STARTER 1	1	1	1	1	1	
42	21V-26374-00	END, CABLE 3	1	1	1	1	1	
43	91609-30010	PIN, SPRING	1	1	1	1	1	
44	8G8-26333-00	NUT	1	1	1	1	1	

FIG. 36 STAND, FOOTREST



REF. NO.	PART NO.	DESCRIPTION	U49	FFA	CHE	GBR	JPN	REMARKS
1	3JM-27411-01	FOOTREST 1	1	1	1	1	1	
2	95817-10022	BOLT, FLANGE	2	2	2	2	2	
3	4BD-27445-10	PLATE 1	1	1	1	1	1	
4	95817-08016	BOLT, FLANGE	2	2	2	2	2	
5	95707-08500	NUT, FLANGE	2	2	2	2	2	
6	95827-08016	BOLT, FLANGE	1	1	1	1	1	
7	4BD-27421-01	FOOTREST 2	1	1	1	1	1	
8	95817-10022	BOLT, FLANGE	2	2	2	2	2	
9	4BD-27446-10	PLATE 2	1	1	1	1	1	
10	95817-08016	BOLT, FLANGE	2	2	2	2	2	
11	95707-08500	NUT, FLANGE	2	2	2	2	2	
12	95827-08016	BOLT, FLANGE	1	1	1	1	1	
13	4BD-27211-00	PEDAL, BRAKE	1	1	1	1	1	
14	90506-18224	SPRING, TENSION	1	1	1	1	1	
15	90201-15797	WASHER, PLATE	1	1	1	1	1	
16	91401-40030	PIN, COTTER	1	1	1	1	1	
17	4BD-27231-00	ROD, BRAKE	1	1	1	1	1	
18	90240-06076	PIN, CLEVIS	1	1	1	1	1	
19	92907-06200	WASHER	1	1	1	1	1	
20	91401-20012	PIN, COTTER	1	1	1	1	1	
21	90501-10245	SPRING, COMPRESSION	1	1	1	1	1	
22	90249-12008	PIN	1	1	1	1	1	
23	20E-26343-00	NUT, ADJUSTING	1	1	1	1	1	

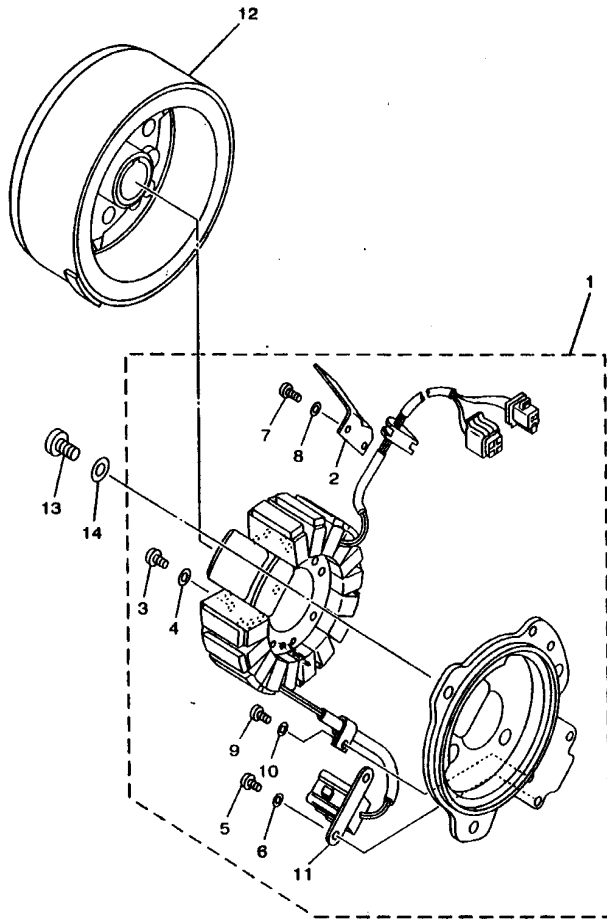
FWD
4BD8110-4330



4KDB100-6370

FIG. 37 GUARD

REF. NO.	PART NO.	DESCRIPTION	U49	FRA	CHE	GBR	JPN	REMARKS
1	4BD-2845R-10	BAR, CARRY REAR		1	1	1	1	
	4BD-2845R-20	BAR, CARRY REAR	1				1	
2	95827-08016	BOLT, FLANGE	3	3	3	3	3	
3	4KD-2845N-10	BAR, CARRY FRONT		1	1	1		
	4KD-2845N-20	BAR, CARRY FRONT	1				1	
4	2HR-28415-00	DAMPER 1	2	2	2	2	2	
5	90480-17507	GROMMET	1	1	1	1	1	
6	4BD-2842M-00	COVER 1	1	1	1	1	1	
7	95807-06010	BOLT, FLANGE	4	4	4	4	4	
8	95817-08016	BOLT, FLANGE	2	2	2	2	2	
9	90201-08326	WASHER, PLATE	2	2	2	2	2	
10	95827-08012	BOLT, FLANGE	2	2	2	2	2	
11	4BD-F4841-U0	CARRIER, FRONT	1					LM
	4BD-24841-01	CARRIER, FRONT		1	1	1	1	
12	95827-06016	BOLT, FLANGE	2	2	2	2	2	
13	95707-06500	NUT, FLANGE	2	2	2	2	2	
14	90201-06557	WASHER, PLATE	2	2	2	2	2	
15	95827-08016	BOLT, FLANGE	2	2	2	2	2	
16	4BD-F4842-U0	CARRIER, REAR	1					LM
	4BD-24842-00	CARRIER, REAR		1	1	1	1	
17	24W-2483H-00	BAND	2	2	2	2	2	
18	90560-06243	SPACER	2	2	2	2	2	
19	95827-06035	BOLT, FLANGE	2	2	2	2	2	
20	95827-08020	BOLT, FLANGE	2	2	2	2	2	

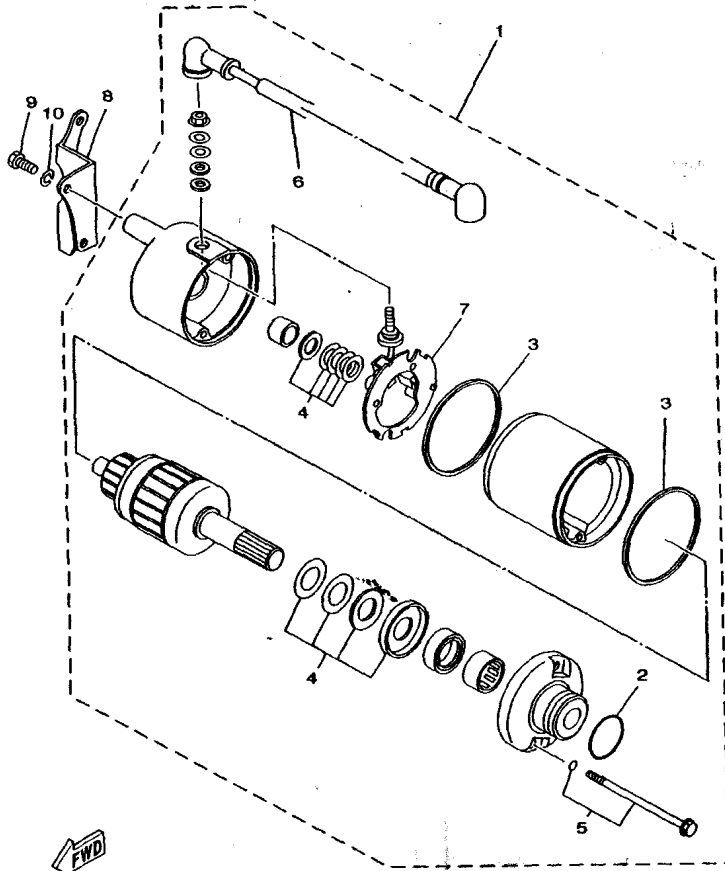



 4KDK100-9380

FIG. 38 GENERATOR

REF. NO.	PART NO.	DESCRIPTION	USA	FRA	CHE	GBR	JPN	REMARKS
1	4BD-85510-20	STATOR ASSY	1	1	1	1	1	
2	21V-85525-01	.COVER	1	1	1	1	1	
3	98501-05025	.SCREW, PAN HEAD	3	3	3	3	3	
4	92901-05100	.WASHER, SPRING	3	3	3	3	3	
5	98501-05010	.SCREW, PAN HEAD	2	2	2	2	2	
6	92901-05100	.WASHER, SPRING	2	2	2	2	2	
7	98501-04008	.SCREW, PAN HEAD	2	2	2	2	2	
8	92901-04100	.WASHER, SPRING	2	2	2	2	2	
9	98501-04006	.SCREW, PAN HEAD	1	1	1	1	1	
10	92901-04100	.WASHER, SPRING	1	1	1	1	1	
11	4BD-85580-00	.COIL, PULSER	1	1	1	1	1	
12	4BD-85550-20	ROTOR ASSY	1	1	1	1	1	
13	98507-06016	SCREW, PAN HEAD	3	3	3	3	3	
14	92907-06600	WASHER, PLATE	3	3	3	3	3	

FIG. 39 STARTING MOTOR

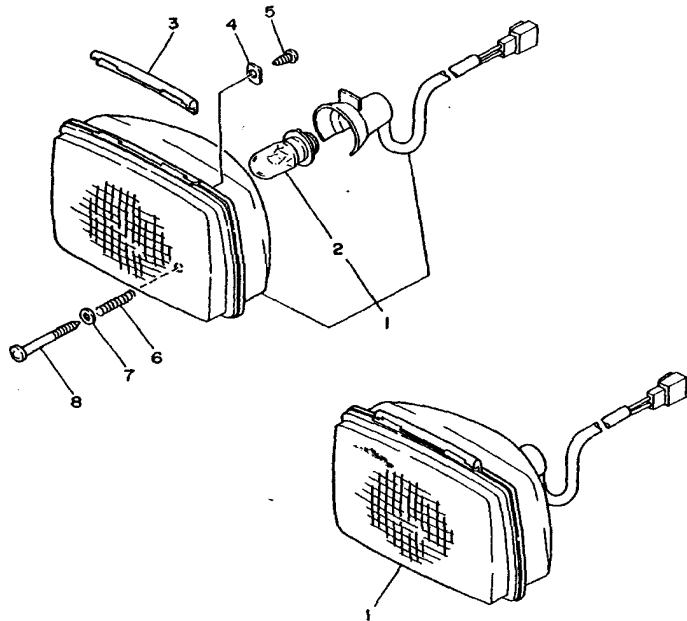


4KDK110-9390

REF. NO.	PART NO.	DESCRIPTION	JAP	FFA	CHE	GBR	JPN	REMARKS
1	4BD-81800-02	STARTING MOTOR ASSY	1	1	1	1	1	
2	1FK-81847-00	.O-RING	1	1	1	1	1	
3	4WP-81844-00	.GASKET	2	2	2	2	2	
4	3KS-81809-00	.WASHER KIT	1	1	1	1	1	
5	4WP-81826-00	.BOLT	2	2	2	2	2	
6	4BD-81815-01	.CORD, STARTER MOTOR	1	1	1	1	1	
7	4WP-81801-00	.BRUSH SET	1	1	1	1	1	
8	1EV-81823-00	STAY, STARTING MOTOR	1	1	1	1	1	
9	98507-06016	SCREW, PAN HEAD	2	2	2	2	2	
10	92907-06100	WASHER, SPRING	2	2	2	2	2	

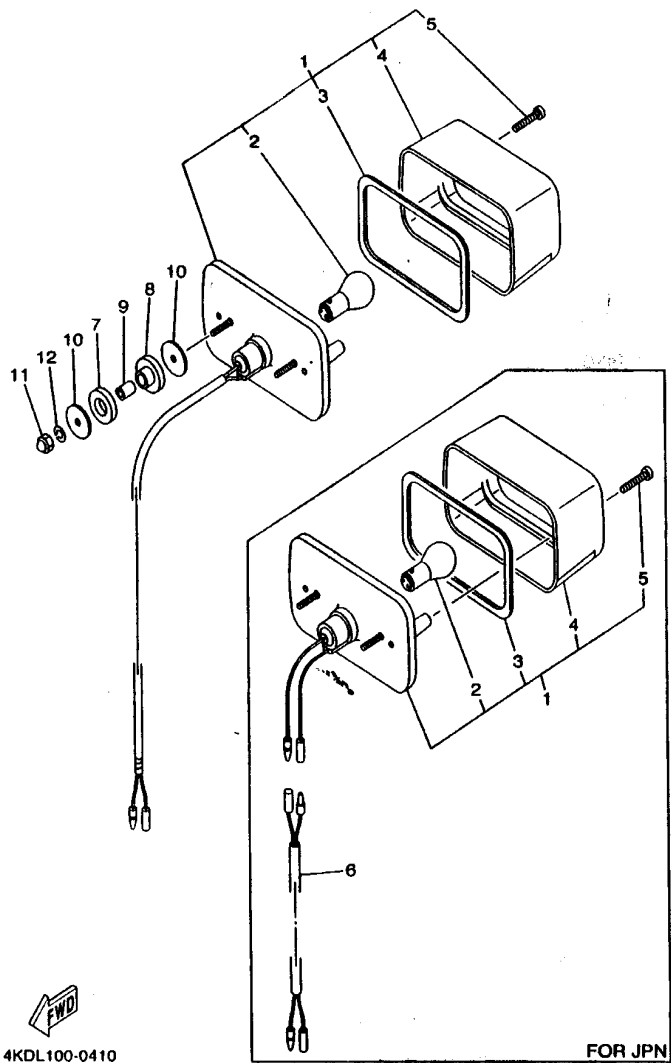
F3

FIG. 40 HEADLIGHT



REF. NO.	PART NO.	DESCRIPTION	J49	FRA	CHE	GBR	JPN	REMARKS
1	2HR-84310-40	HEADLIGHT UNIT ASSY	2	2	2	2	2	
2	19G-84314-00	BULB, HEADLIGHT (12V-25/25W)	1	1	1	1	1	
3	26A-84143-00	DAMPER, HEADLIGHT STAY	2	2	2	2	2	
4	26A-8411H-00	PLATE, STOPPER	4	4	4	4	4	
5	97707-40510	SCREW, TAPPING	4	4	4	4	4	
6	18A-84132-00	SPRING, SCREW	2	2	2	2	2	
7	92907-04600	WASHER	2	2	2	2	2	
8	18A-84131-00	SCREW, RIM ADJUSTER	2	2	2	2	2	

FWD
4GB9100-5410



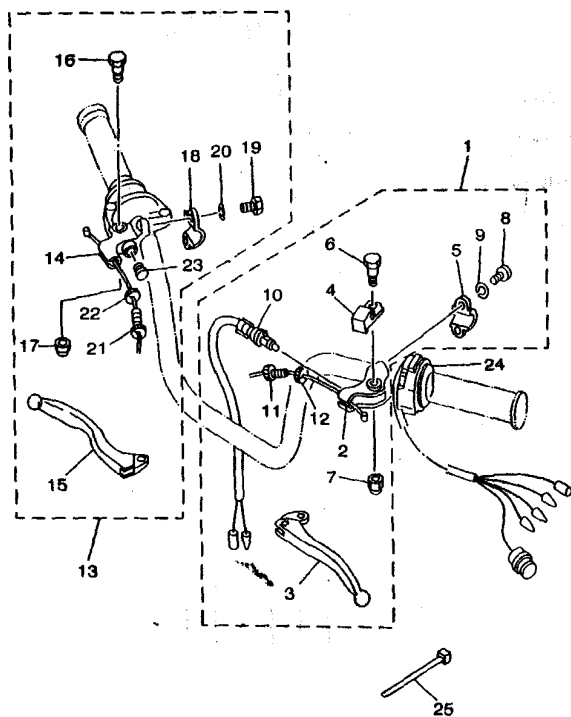
4KDL100-0410

FIG. 41 TAILLIGHT

REF. NO.	PART NO.	DESCRIPTION	U49	FRA	CHE	GBR	JPN	REMARKS
1	4XE-84710-00	TAILLIGHT UNIT ASSY	1	1	1	1		
	52H-84710-00	TAILLIGHT UNIT ASSY					1	
2	3GD-84714-00	BULB (12V-7.5W)	1	1	1	1	1	
3	1K8-84523-00	GASKET, LENS	1	1	1	1	1	
4	21V-84721-00	LENS, TAILLIGHT					1	
	3L6-84521-00	LENS, TAILLIGHT	1	1	1	1		
5	2E9-84524-00	SCREW, LENS FITTING	2	2	2	2	2	
6	4BD-8471G-00	WIRE, LEAD					1	
7	90202-14077	WASHER, PLATE	2	2	2	2	2	
8	90480-14088	GROMMET	2	2	2	2	2	
9	90560-07007	SPACER	2	2	2	2	2	
10	90201-06074	WASHER, PLATE	4	4	4	4	4	
11	95307-06800	NUT	2	2	2	2	2	
12	92907-06100	WASHER, SPRING	2	2	2	2	2	

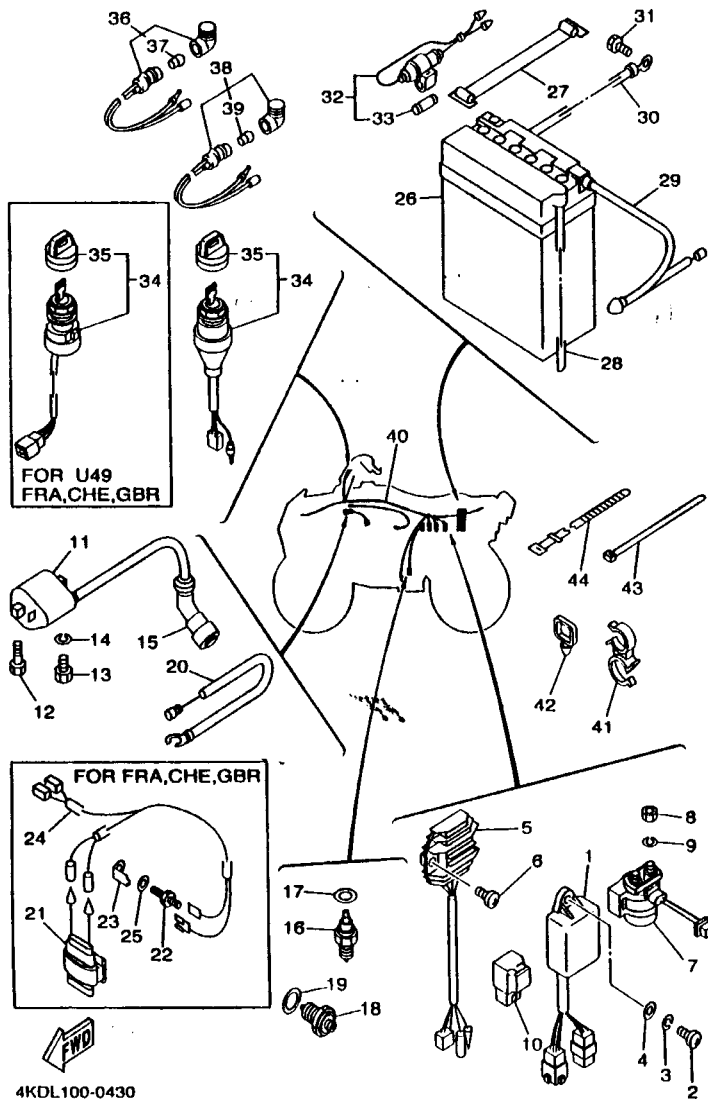
F5

FIG. 42 HANDLE SWITCH, LEVER




4KDK110-9420

REF. NO.	PART NO.	DESCRIPTION	U49	FRA	CHE	GBR	JPN	REMARKS
1	4BD-82910-01	LEVER HOLDER ASSY (LEFT)	1	1	1	1	1	
2	1YW-82911-01	.HOLDER, LEVER 1	1	1	1	1	1	
3	2HT-83912-00	.LEVER 1	1	1	1	1	1	
4	1YW-83965-00	.LEVER, LOCK	1	1	1	1	1	
5	2XJ-82913-00	.HOLDER, LEVER LOWER 1	1	1	1	1	1	
6	90109-06576	.BOLT	1	1	1	1	1	
7	95607-06100	.NUT, U	1	1	1	1	1	
8	98507-06020	.SCREW, PAN HEAD	2	2	2	2	2	
9	92907-06100	.WASHER, SPRING	2	2	2	2	2	
10	4BD-83980-00	.FRONT STOP SWITCH ASSY	1	1	1	1	1	
11	90123-08046	.BOLT	1	1	1	1	1	
12	90179-08148	.NUT	1	1	1	1	1	
13	4BD-82920-01	LEVER HOLDER ASSY (RIGHT)	1	1	1	1	1	
14	3JN-82921-00	.HOLDER, LEVER 2	1	1	1	1	1	
15	59V-83922-00	.LEVER 2	1	1	1	1	1	
16	90109-06799	.BOLT	1	1	1	1	1	
17	95607-06100	.NUT, U	1	1	1	1	1	
18	2XJ-82913-00	.HOLDER, LEVER LOWER 1	1	1	1	1	1	
19	97027-06025	.BOLT	2	2	2	2	2	
20	92907-06100	.WASHER, SPRING	2	2	2	2	2	
21	90123-08046	.BOLT	1	1	1	1	1	
22	90179-08148	.NUT	1	1	1	1	1	
23	90338-12192	.PLUG	1	1	1	1	1	
24	4BD-83973-10	SWITCH, HANDLE 3	1	1	1	1	1	
25	437-83936-01	BAND, SWITCH CORD	3	3	3	3	3	



REF. NO.	PART NO.	DESCRIPTION	U49	FRA	CHE	GBR	JPN	REMARKS
1	4BD-85540-10	C.D.I. UNIT ASSY	1	1	1	1	1	
2	98507-06016	SCREW, PAN HEAD	1	1	1	1	1	
3	92907-06100	WASHER, SPRING	1	1	1	1	1	
4	92907-06600	WASHER, PLATE	1	1	1	1	1	
5	4KB-81960-02	RECTIFIER & REGULATOR ASSY	1	1	1	1	1	
6	98907-06020	SCREW, BIND	2	2	2	2	2	
7	4KD-81940-00	STARTER RELAY ASSY	1	1	1	1	1	
8	95307-06700	NUT	2	2	2	2	2	
9	92907-06100	WASHER, SPRING	2	2	2	2	2	
10	1RL-81950-92	RELAY ASSY	1	1	1	1	1	
11	3JN-82310-01	IGNITION COIL ASSY	1	1	1	1	1	
12	90109-06723	BOLT	1	1	1	1	1	
13	97007-06020	BOLT	1	1	1	1	1	
14	92907-06600	WASHER, PLATE	1	1	1	1	1	
15	1UY-82370-20	PLUG CAP ASSY	1	1	1	1	1	
16	3GB-82540-01	NEUTRAL SWITCH ASSY	1	1	1	1	1	
17	90430-10148	GASKET	1	1	1	1	1	
18	4KD-82540-00	NEUTRAL SWITCH ASSY	1	1	1	1	1	
19	90201-12790	WASHER, PLATE	1	1	1	1	1	
20	4KD-82507-00	WIRE, LEAD	1	1	1	1	1	
21	1AJ-82560-01	THERMO SWITCH ASSY	1	1	1	1	1	AP
22	3AB-83790-00	HEATER ASSY	1	1	1	1	1	AP
23	3BT-82103-00	TERMINAL 1	1	1	1	1	1	AP
24	4KD-82509-00	WIRE, SUB LEAD	1	1	1	1	1	AP
25	90201-085R5	WASHER, PLATE	1	1	1	1	1	AP
26	1UY-82110-61	BATTERY ASSY	1	1	1	1	1	
	4KD-82110-01	BATTERY ASSY						1

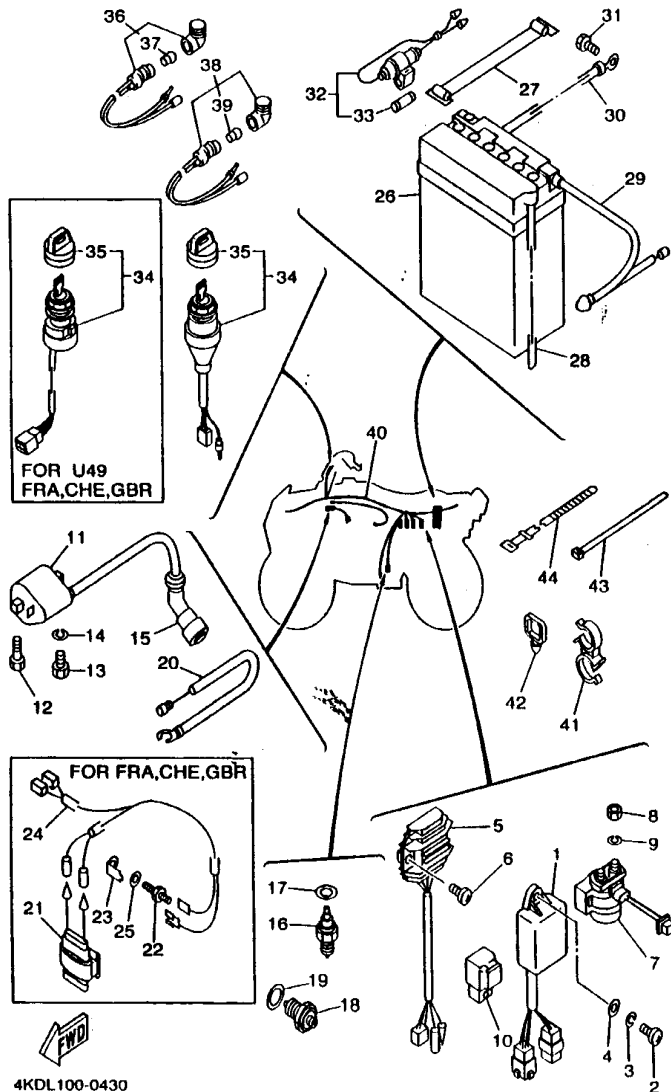
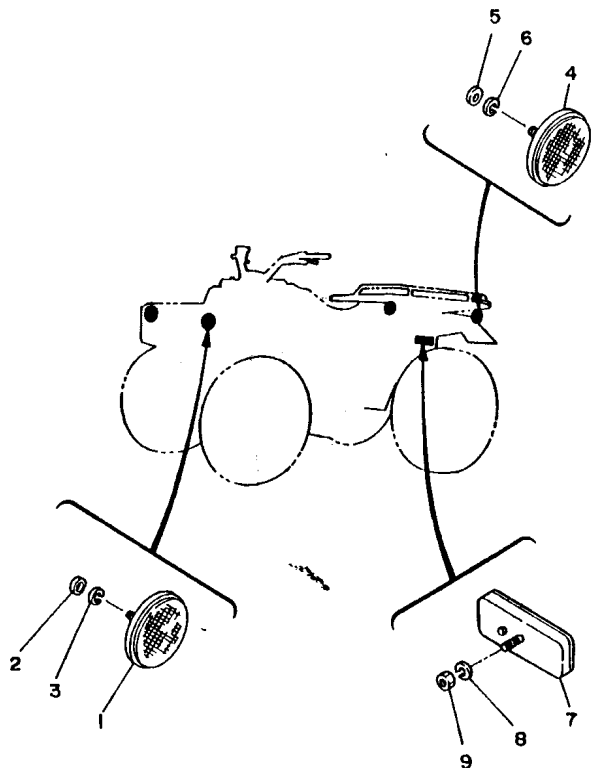


FIG. 43 ELECTRICAL 1

REF. NO.	PART NO.	DESCRIPTION	U49	FRA	CHE	GBR	JPN	REMARKS
27	133-82131-00	BAND, BATTERY	1	1	1	1	1	
28	90445-083F2	HOSE	1	1	1	1	1	
29	4BD-82115-01	WIRE, PLUS LEAD	1	1	1	1	1	
30	31G-82116-00	WIRE, MINUS LEAD	1	1	1	1	1	
31	90153-06044	SCREW, HEXAGON	1	1	1	1	1	
32	2NL-82150-00	FUSE HOLDER ASSY	1	1	1	1	1	
	59V-82150-00	FUSE HOLDER ASSY					1	
33	705-82151-00	FUSE (30A)	2	2	2	2	2	
34	4BD-82510-10	MAIN SWITCH ASSY	1	1	1	1	1	
	4BD-82510-00	MAIN SWITCH ASSY					1	
35	3HN-82579-00	CAP, KEY	1	1	1	1	1	
36	24W-83530-01	PILOT LIGHT ASSY	1	1	1	1	1	GREEN
37	123-83516-21	BULB (12V-3.4W)	1	1	1	1	1	
38	52G-83530-01	PILOT LIGHT ASSY	1	1	1	1	1	RED
39	123-83516-21	BULB (12V-3.4W)	1	1	1	1	1	
40	4BD-82590-30	WIRE HARNESS ASSY	1	1	1	1	1	
41	90464-28153	CLAMP	1	1	1	1	1	
42	90464-16025	CLAMP	1	1	1	1	1	
43	90465-13152	CLAMP	1	1	1	1	1	
44	3TB-83936-00	BAND, SWITCH CORD	1	1	1	1	1	

FIG. 44 ELECTRICAL 2



REF. NO.	PART NO.	DESCRIPTION	U49	FRA	CHE	GBR	JPN	REMARKS
1	2EK-85111-00	REFLECTOR, FRONT 1		2	2	2		
2	92907-05200	WASHER		2	2	2		
3	92907-05100	WASHER, SPRING		2	2	2		
4	449-85131-02	REFLECTOR, REAR 1		2	2	2		
5	92907-05200	WASHER		2	2	2		
6	92907-05100	WASHER, SPRING		2	2	2		
7	3Y6-85130-02	REAR REFLECTOR ASSY		1	1	1		
8	92907-05100	WASHER, SPRING		1	1	1		
9	95307-05600	NUT		1	1	1		


2HR171-7430

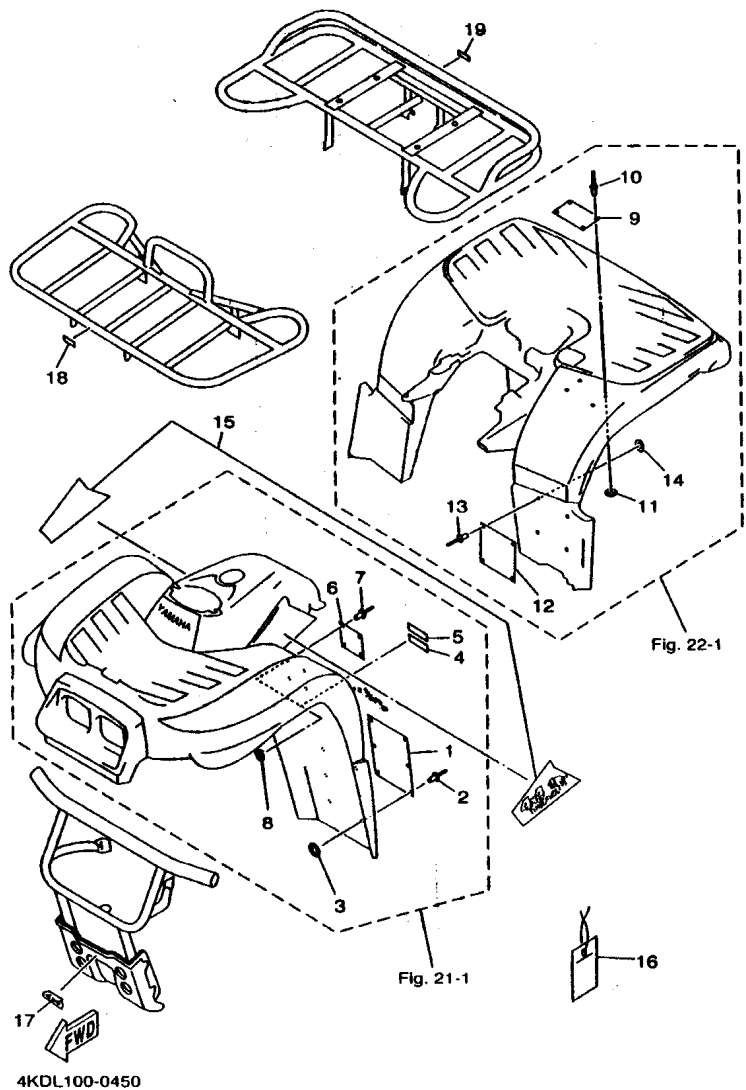


FIG. 45 EMBLEM.LABEL 1

REF. NO.	PART NO.	DESCRIPTION	J49	FRA	CHE	GBR	JPN	REMARKS
1	5FE-21568-01	LABEL, WARNING	1					
2	90267-32109	RIVET, BLIND	6					
3	90201-03313	WASHER, PLATE	6					
4	3JN-21578-A0	EMBLEM	1					ENGLISH
5	3JN-2151E-A0	LABEL 2	1					
6	5FE-21697-01	LABEL, CAUTION 2	1					
7	90267-32109	RIVET, BLIND	4					
8	90201-03313	WASHER, PLATE	4					
9	5FE-2151H-01	LABEL 5	1					
10	90267-32109	RIVET, BLIND	4					
11	90201-03313	WASHER, PLATE	4					
12	4KD-21696-40	LABEL, CAUTION	1					
13	90267-32109	RIVET, BLIND	4					
14	90201-03313	WASHER, PLATE	4					
15	4KD-2173G-70	EMBLEM SET 1	1					
16	3FA-2819R-00	TAG, WARNING	1					
17	4KD-2118E-00	EMBLEM 1	1					
18	4BD-F4877-U0	LABEL, CAUTION	1					LM
19	4BD-F4897-U0	EMBLEM	1					LM

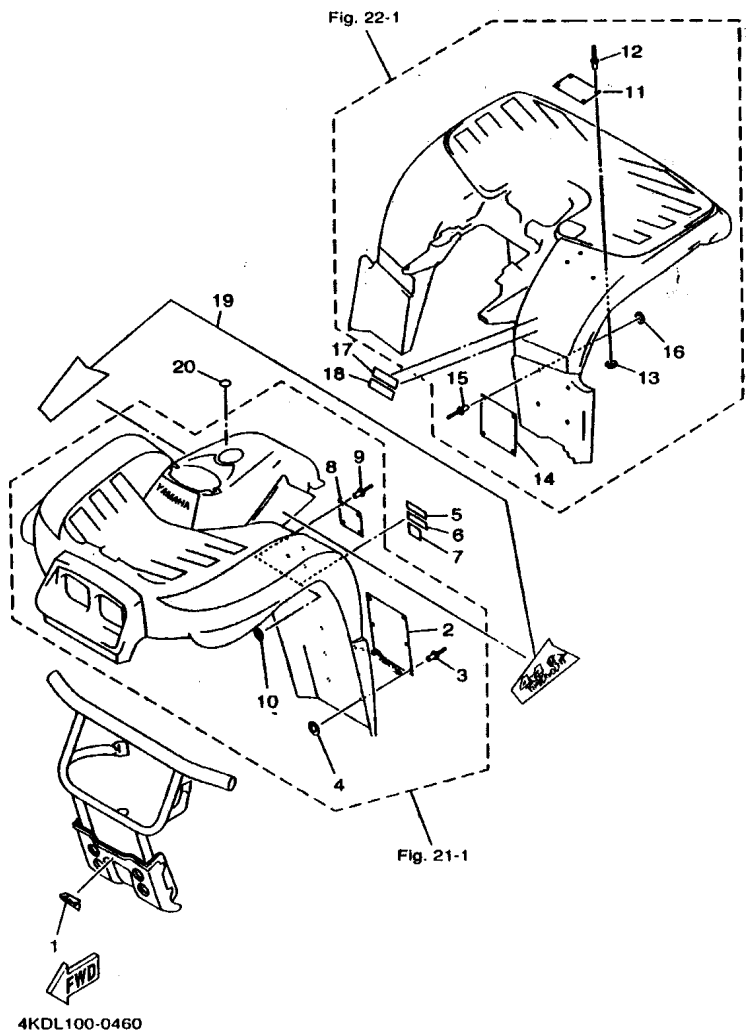
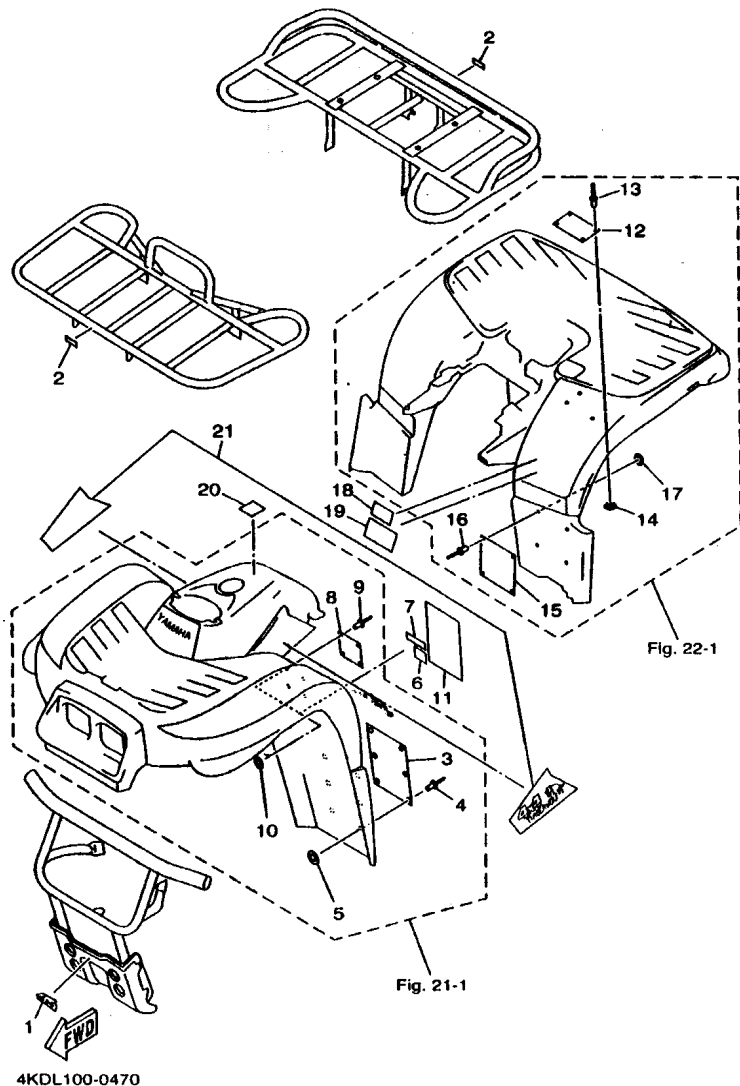


FIG. 46 EMBLEM.LABEL 2

REF. NO.	PART NO.	DESCRIPTION	J49	FRA	CHE	GBR	JPN	REMARKS
1	4KD-2118E-00	EMBLEM 1		1	1	1		
2	5FE-21568-11	LABEL, WARNING		1	1	1		
3	90267-32109	RIVET, BLIND		6	6	6		
4	90201-03313	WASHER, PLATE		6	6	6		
5	3HP-21568-00	LABEL, WARNING					1	ENGLISH
	3HP-21568-10	LABEL, WARNING		1	1			FRENCH
6	3HP-21568-20	LABEL, WARNING			1			GERMAN
7	4GB-2155A-00	MARK, EC		1	1	1		
8	5FE-21697-01	LABEL, CAUTION 2		1	1	1		
9	90267-32109	RIVET, BLIND		4	4	4		
10	90201-03313	WASHER, PLATE		4	4	4		
11	5FE-2151H-01	LABEL 5		1	1	1		
12	90267-32109	RIVET, BLIND		4	4	4		
13	90201-03313	WASHER, PLATE		4	4	4		
14	4KD-21696-41	LABEL, CAUTION		1	1	1		
15	90267-32109	RIVET, BLIND		4	4	4		
16	90201-03313	WASHER, PLATE		4	4	4		
17	3HP-21668-00	LABEL, TIRE					1	ENGLISH
	3HP-21668-10	LABEL, TIRE		1	1			FRENCH
18	3HP-21668-20	LABEL, TIRE			1			GERMAN
19	4KD-2173G-70	EMBLEM SET 1		1	1	1		
20	3ME-2415E-00	LABEL, CAUTION					1	GBR ONLY

FIG. 47 EMBLEM LABEL 3



REF. NO.	PART NO.	DESCRIPTION	U49	FRA	CHE	GBR	JPN	REMARKS
1	4KD-2118E-00	EMBLEM 1					1	
2	4SH-24875-00	LABEL 1					2	
3	5FE-21568-11	LABEL, WARNING					1	
4	90267-32109	RIVET, BLIND					6	
5	90201-03313	WASHER, PLATE					6	
6	3JN-21578-C0	EMBLEM					1	
7	4KD-2151E-00	LABEL 2					1	
8	5FE-21697-01	LABEL, CAUTION 2					1	
9	90267-32109	RIVET, BLIND					4	
10	90201-03313	WASHER, PLATE					4	
11	4SH-21568-00	LABEL, WARNING					1	
12	5FE-2151H-01	LABEL 5					1	
13	90267-32109	RIVET, BLIND					4	
14	90201-03313	WASHER, PLATE					4	
15	4KD-21696-41	LABEL, CAUTION					1	
16	90267-32109	RIVET, BLIND					4	
17	90201-03313	WASHER, PLATE					4	
18	4LB-2151H-01	LABEL 5					1	
19	4KD-21696-31	LABEL, CAUTION					1	
20	4SH-21697-00	LABEL, CAUTION 2					1	
21	4KD-2173G-70	EMBLEM SET 1					1	

NUMERICAL INDEX

PARTNO.	GRID NO.	PARTNO.	GRID NO.	PARTNO.	GRID NO.	PARTNO.	GRID NO.	PARTNO.	GRID NO.	PARTNO.	GRID NO.
4BD-F4841-U0	E - 15	4G0-12118-00	B - 7	620-14231-17	B - 11	21V-15723-00	C - 3	24W-17537-50	C - 7	52H-18153-00	C - 11
4BD-F4842-U0	E - 15	5H0-12119-00	B - 7	3GH-14411-01	B - 10	21V-15741-00	C - 3	24W-17537-60	C - 7	10W-18154-00	C - 12
4BD-F4877-U0	F - 10	5H0-12121-01	B - 7	21V-14412-01	B - 10	21V-15751-00	C - 3	4H7-17537-00-20	D - 11	5R2-18154-00	C - 11
4BD-F4897-U0	F - 10	5H0-12146-00	B - 7	31A-14419-00	B - 10	3X3-15755-00	C - 3	4H7-17537-00-30	D - 11	2HT-1817A-00	C - 14
29U-W1141-00	B - 5	29U-12151-00	B - 7	4BD-1442F-00	B - 10	21V-15767-00	C - 3	4H7-17537-00-40	D - 11	4KD-18174-01	C - 11
4KD-W215B-40	D - 3	5H0-12156-00	B - 7	4BD-14437-00	B - 10	21V-15779-00	C - 3	4KD-17541-01	C - 9	21V-18177-00	C - 14
4KD-W2151-40	D - 3	2NX-12159-00	B - 7	1YW-14451-00	B - 10	4BD-15787-10	B - 15	4KD-17542-01	C - 9	24W-18179-00	C - 14
4KD-W2161-F0	D - 4	1KH-12171-00	B - 8	5H0-14452-00	B - 10	2HT-16150-00	C - 5	4KD-17551-01	C - 8	21V-18181-00	C - 14
4BD-W2536-00	E - 8	5H0-12171-02	B - 8	4KD-14453-00	B - 10	5H0-16154-00	C - 5	22U-17553-01	C - 9	5H0-18185-01	C - 13
	E - 10	2LN-12176-00	B - 8	59V-14457-00	B - 10	21V-16321-00	C - 5	4KD-17553-00	C - 7	52G-18187-00	C - 11
4BD-W2536-01	E - 8	5H0-12176-00	B - 8	1YW-14458-00	B - 10	257-16324-00	C - 5	4BD-17556-00	C - 8	3GC-18197-00	C - 8
2HR-W4614-00	D - 10	3GC-12210-10	B - 8	1UY-14468-00	B - 10	21V-16351-00	C - 5	24W-17558-00	C - 6	3GC-18451-00	C - 9
4KD-Y1752-00	C - 7	4FM-12213-00	B - 8	583-14561-00	B - 12	21V-16352-00	C - 5	2H7-17571-01	D - 10	52H-18341-00	C - 11
4BD-Y4612-10	D - 8	5H0-12231-00	B - 8	4KD-14611-00	B - 13	21V-16358-00	C - 5	2HR-17576-00	C - 9	52G-18433-00	C - 11
4BD-11101-02	B - 2	5N0-12241-00	B - 8	4KD-14611-10	B - 13	21V-16371-01	C - 5	4KD-17586-00	C - 9	4JG-18451-00	C - 9
5H0-1111F-00	B - 2	2HT-13300-00	B - 9	5H0-14612-00	B - 13	3GC-16811-00	C - 5	4KD-17587-00	C - 9	4JG-18511-00	C - 13
5H0-11133-11	B - 2	21V-13326-00	B - 9	4BE-14613-00	B - 13	4BD-16620-00	C - 5	4KD-17588-00	C - 9	4BD-18512-00	C - 13
4BD-11160-00	B - 2	4BE-13329-00	B - 9	3Y1-14628-00	B - 13	3GC-16626-00	C - 5	2H7-17591-01	D - 8	4JG-18513-00	C - 13
4KB-11165-00	B - 2	51Y-13411-00	B - 9	4BD-14711-00	B - 13	21V-16664-00	C - 5	52G-17967-00-15	C - 7	52G-18514-02	C - 8
4BD-11166-00	B - 2	5H0-13440-00	B - 9	3YF-14714-00	B - 13	21V-16665-01	C - 5	52G-17967-00-20	C - 7	3GX-18531-00	C - 13
3GH-11181-00	B - 2	15A-13447-00	B - 9	21V-14752-00	B - 13	4KD-17121-00	C - 6	52G-17967-00-30	C - 7	52G-18534-00	C - 8
3GC-11186-00	B - 2	29U-13596-01	B - 10	4BD-14766-00	B - 13	59V-17131-00	C - 6	52G-17967-00-40	C - 7	3GX-18535-00	C - 13
3GC-11187-00	B - 2	21V-1410A-00	B - 11	3GH-1490J-00	B - 11	59V-17141-00	C - 6	52G-17967-00-50	C - 7	52G-18540-01	C - 13
214-11198-01	C - 2	4KD-14101-02	B - 11	4BD-1490J-00	B - 11	24W-17151-02	C - 6	52G-17968-00-10	C - 7	52G-18561-00	C - 11
	C - 9	4KD-14101-13	B - 11	59V-14962-00	B - 12	29U-17211-00	C - 6	52G-17968-00-11	C - 8	4KD-21110-10-R4	C - 15
	D - 8	18G-14103-00	B - 11	4BD-15100-12	B - 14	29U-17221-01	C - 6	52G-17968-00-12	C - 8	4KD-2118E-00	F - 10
	D - 11	21V-14105-00	B - 11	4KD-15317-00	B - 15	15A-17231-00	C - 6	52G-17968-00-13	C - 8		F - 11
4BD-11310-01	B - 4	29U-14106-00	B - 11	5H0-15351-00	B - 9	24W-17241-00	C - 6	52G-17968-00-14	C - 8		F - 12
4BD-11351-00	B - 4	3GH-14112-35	B - 11	1UY-15362-01	B - 15	4BD-17251-00	C - 6	52G-17968-00-15	C - 8	4KD-21315-00	C - 15
29U-11400-01	B - 5	4U5-14126-00	B - 11	2N4-15371-00	D - 11	52G-17285-00	C - 7	52G-17968-00-16	C - 8	4KD-21316-00	C - 15
29U-11422-01	B - 5	4GA-14131-00	B - 11	21V-15381-00	C - 2	59V-17401-00	C - 6	52G-17968-00-17	C - 8	4KD-21317-00	C - 15
4BD-11454-00	B - 5	18M-1414B-10	B - 11	4BD-15431-02	B - 15	24W-17402-00	C - 6	52G-17968-00-18	C - 8	21V-21376-00	D - 2
5H0-11531-00	B - 5	21V-14141-34	B - 11	4BD-15451-01	B - 15	22U-17524-00	C - 10	52G-17968-00-19	C - 8	4KD-2147A-00	C - 15
2HT-11536-00	B - 5	22F-14142-20	B - 11	4BD-15462-00	B - 15	22U-17527-01	C - 10	3GH-18103-01	C - 14	4KD-2147H-00	D - 2
4BD-11610-00	B - 5	59V-14146-00	B - 11	4BD-15463-01	B - 15	3H5-17529-00	C - 10	24W-18104-00	C - 14	4KD-2147J-00	C - 15
4BD-11610-20	B - 5	29U-14147-00	B - 11	21V-15489-00	B - 15	52G-17531-01	C - 7	4KD-18110-00	C - 14	4KD-2147K-00	C - 15
4BD-11610-40	B - 5	21V-14148-00	B - 11	2HT-15512-00	C - 4	52G-17531-11	C - 7	132-18113-01	C - 14	4KD-21485-00	C - 15
4BD-11631-00-Y0	B - 5	5V7-14153-00	B - 11	5H0-15517-00	C - 4	52G-17531-21	C - 7	52G-18113-00	C - 11	38V-21486-00	D - 2
29U-11633-00	B - 5	1M1-14169-00	B - 11	2HT-15521-00	C - 4	52G-17531-31	C - 7	52G-18116-00	C - 11	3JN-2151E-A0	F - 10
4BD-11636-00	B - 5	24W-14184-00	B - 11	4H7-15580-10	C - 4	52G-17531-41	C - 7	52G-18117-00	C - 11	4KD-2151E-00	F - 12
4BD-11636-00	B - 5	21V-14185-00	B - 12	1J7-15583-01	C - 4	52G-17531-51	C - 7	21V-18118-00	C - 14	4LB-2151H-01	F - 12
29U-11651-00	B - 5	127-14186-00	B - 12	24W-15710-00	C - 3	1J7-17537-Y0-30	D - 8	3GC-1812A-00	C - 8	5FE-2151H-01	F - 10
5H0-11681-00	B - 5	21V-14190-18	B - 12	24W-15711-00	C - 3	1J7-17537-Y0-40	D - 8	21V-18120-00	C - 14		F - 11
5H0-12111-01	B - 7	12R-14191-00	B - 11	21V-15713-00	C - 3	1J7-17537-Y0-50	D - 8	21V-18128-00	C - 14		F - 12
4G0-12113-01	B - 7	24W-14193-00	B - 12	24W-15714-00	C - 3	24W-17537-10	C - 7	21V-18127-00	C - 14	4KD-21513-00	D - 3
4G0-12114-01	B - 7	4KD-14193-00	B - 12	21V-15715-00	C - 3	24W-17537-20	C - 7	4G0-18140-00	C - 14	4GB-2155A-00	F - 11
4G0-12116-01	B - 7	4KD-14197-10	B - 12	21V-15716-00	C - 3	24W-17537-30	C - 7	4BD-1815A-00	C - 11	4BD-21551-00	D - 3
4G0-12117-00	B - 7	620-1423A-68	B - 11	21V-15719-00	B - 15	24W-17537-40	C - 7	52G-18150-00	C - 11	4KD-21552-00	D - 3

NUMERICAL INDEX

PARTNO.	GRID NO.	PARTNO.	GRID NO.	PARTNO.	GRID NO.	PARTNO.	GRID NO.	PARTNO.	GRID NO.	PARTNO.	GRID NO.
4KD-21553-00	D-3	4BD-2219X-02	D-7	3HN-2510G-00	E-5	3GH-25898-00	E-9	4KD-2845N-10	E-15	1EV-81823-00	F-3
4BD-21555-00	D-3	4BD-22210-20-33	D-13		E-6		E-10	4KD-2845N-20	E-15	4WP-81826-00	F-3
4BD-21559-00	D-3	24R-22216-00	D-13	3HN-2510H-00	E-5	3FA-26111-00	E-12	4BD-2845R-10	E-15	4WP-81844-00	F-3
4BD-21560-00	D-3	2VA-22226-00	D-13		E-6	4BD-26124-01	E-12	4BD-2845R-20	E-15	1FK-81847-00	F-3
3HP-21568-00	F-11	4KD-2331M-00	E-2	3HN-2510J-00	E-5	1NV-26129-00	E-12	4BD-46101-10	D-8	4KD-81940-00	F-7
3HP-21568-10	F-11	4KD-2331N-00	E-2		E-6	3GB-26241-00	E-12	24W-46102-00	D-8	1RL-81950-92	F-7
3HP-21568-20	F-11	4KD-23350-10-33	E-2	2HR-2511G-00	E-5	1NV-2625G-01	E-12	4KD-46107-00	D-11	4KB-81960-02	F-7
4SH-21568-00	F-12	2HR-23391-00	D-3		E-6	1NV-26250-01	E-12	4KD-46107-10	D-11	3BT-82103-00	F-7
5FE-21568-01	F-10	4KD-23501-01	E-5	3HN-2511H-00	E-5	1NV-2628F-00	E-12	3HN-46108-00	D-12	1UY-82110-61	F-7
5FE-21568-11	F-11	4KD-23502-01	E-6		E-6	1NV-2628G-00	E-12	4GB-46108-10	D-12	4KD-82110-01	F-7
	F-12	2HR-23526-00	E-2	3HN-2511I-10	E-5	1NV-26304-00	E-12	24W-46117-00-25	D-8	4BD-82115-01	F-8
3JN-21578-A0	F-10	4KD-23570-02	E-2		E-6	4BD-2631F-00	B-10	24W-46117-00-30	D-8	31G-82118-00	F-8
3JN-21578-C0	F-12	4KD-23580-02	E-2	5GT-2512A-00	E-5	52H-2631G-00	E-13	24W-46117-00-40	D-8	133-82131-00	F-8
4BD-2160A-00	D-4	1UY-23812-00	D-14		E-6	4KD-26311-01	E-12	24W-46117-00-50	D-8	2NL-82150-00	F-8
4BD-2160A-10	D-4	4KD-23813-01	D-14		E-6	4BD-26331-00	E-13	24W-46118-00-12	D-8	59V-82150-00	F-8
4BD-2162H-00	D-4	9G5-23814-00	D-14	3GH-2512E-00	E-8	8G8-26333-00	E-13	24W-46118-00-14	D-8	705-82151-00	F-8
4BD-2162J-00	D-4	4KD-23814-00	D-14		E-10	4KD-26341-00	E-12	24W-46118-00-16	D-8	3JN-82310-01	F-7
4BD-21621-00	D-4	4KD-23816-00	D-14	2HR-2512G-00	E-5	20E-26343-00	E-12	24W-46118-00-18	D-8	1UY-82370-20	F-7
36F-21638-00	D-2	2HR-23841-01	D-14		E-6		E-14	24W-46118-00-20	D-8	4KD-82507-00	F-7
4BD-21639-00	D-4	59V-23841-01	D-14	2HR-2512H-00	E-5	52H-26347-01	E-13	29U-46123-00	D-9	4KD-82509-00	F-7
4BD-21643-00	D-4	59V-23845-01	D-14		E-6	4KD-26361-01	E-13	29U-46125-00	D-8	4BD-82510-00	F-8
4BD-21644-00	D-5	4BD-23868-00	D-14	2HR-2512J-00	E-5	4KD-2637G-00	E-7	2HR-46127-00-25	D-10	4BD-82510-10	F-8
59V-21646-00	D-4	2GU-23872-00	C-15		E-6	4KD-2637H-00	E-7	2HR-46127-00-30	D-10	3GB-82540-01	F-7
3HP-21668-00	F-11	1UY-23894-01	D-14	3GH-25129-00	E-8	52H-26371-00	E-12	2HR-46127-00-35	D-10	4KD-82540-00	F-7
3HP-21668-10	F-11	4BD-24110-02	E-3		E-8	4BD-26373-01	E-12	2HR-46127-00-40	D-10	1AJ-82560-01	F-7
3HP-21668-20	F-11	4BD-24114H-00	E-3	3GH-2513A-00	E-8	21V-26374-00	E-13	2HR-46127-00-45	D-10	3HN-82579-00	F-8
4BD-21691-00	D-4	26H-24145-00	D-4		E-10	1NV-26398-00	E-12	2HR-46127-00-50	D-10	4BD-82590-30	F-8
4KD-21696-31	F-12	3ME-2415E-00	F-11	2NL-25133-00	E-8	116-27114-00	D-7	4GB-46136-02	D-12	4BD-82910-01	F-6
4KD-21696-40	F-10	22W-24181-00	D-2		E-10	128-27114-00	D-7	4GB-46136-10	D-12	1YW-82911-01	F-6
4KD-21696-41	F-11	4BD-24181-00	E-3	3GH-25151-00	E-8	278-27114-00	C-15	2HR-46144-00	D-10	2XA-82913-00	F-6
	F-12	4V1-24183-00	D-4		E-10	371-27114-00	E-4	2HR-46146-01	D-10	4V4-82913-00	E-12
4SH-21697-00	F-12	4BD-24339-00	E-3	2NL-25153-00	E-8	3GH-27206-00	E-8	4GB-46146-01	D-10	4BD-82920-01	F-6
5FE-21697-01	F-10	3JN-24500-00	E-3		E-9		E-10	2VY-46151-01	D-8	3JN-82921-00	F-6
	F-11	4X8-24512-00	E-3	4KD-25155-00	E-11	4BD-27211-00	E-14	3GC-46152-00	D-9	123-83516-21	F-8
	F-12	3AJ-24534-00	E-3		E-8	4BD-27231-00	E-14	2HR-46156-00	D-11	24W-83530-01	F-8
4BD-2171A-C0	D-6	1UY-24610-00	E-3	4KD-25156-00	E-9	4BD-27280-00	E-8	2HR-46161-00	D-10	52G-83530-01	F-8
1UJ-21717-00	D-3	4BD-24710-70	E-4	4KD-25180-00-35	E-5		E-10	2HR-46162-00	D-11	3AB-83790-00	F-7
4KD-2173G-70	F-10	56J-2472F-00	C-15		E-6	4KD-27280-00	E-8	4BD-46172-00	D-9	2HT-83912-00	F-6
	F-11	4BD-24731-70	E-4	4BD-25355-00	E-10	3JM-27411-01	E-14	4KD-46173-00	D-12	59V-83922-00	F-6
	F-12	22W-24741-00	C-15		E-10	4BD-27421-01	E-14	4X7-46180-00	D-9	3TB-83936-00	F-8
4J2-21778-00	C-15	59V-24775-00	E-4	4BD-25377-00	E-11	4BD-27445-10	E-14	2HR-46187-00	D-12	437-83936-01	F-6
4BD-22110-02-33	D-7	4BD-24776-01	E-4	4BD-25381-11	E-11	4BD-27446-10	E-14	4KD-46187-00	D-12	1YW-83965-00	F-6
1W1-22128-00	D-13	24W-2483H-00	E-15	2HR-25383-01	E-10	2XK-28100-00	D-2	3HN-46470-04	D-10	4BD-83973-10	F-6
4KD-2214F-00	D-7	4BD-24841-01	E-15	4BD-25390-00-35	E-10	1NV-2811A-00	D-2	4BD-46513-00	E-11	4BD-83980-00	F-6
29U-22141-00	D-7	4BD-24842-00	E-15		E-9	3FA-2819R-00	F-10	4BD-81800-02	F-3	26A-8411H-00	F-4
1J7-22143-00	D-7	4SH-24875-00	F-12	3GH-25818-00	E-8	5GT-2836B-00	E-12	4WP-81801-00	F-3	2HR-84111-00	D-3
2HR-22146-00	D-10	4KD-2510F-01	E-5		E-11	2HR-28415-00	E-15	3KS-81809-00	F-3	18A-84131-00	F-4
4KD-22189-00	D-7		E-6	3GH-25898-00	E-8	4BD-2842M-00	E-15	4BD-81815-01	F-3	18A-84132-00	F-4

M2

NUMERICAL INDEX

PARTNO.	GRID NO.	PARTNO.	GRID NO.	PARTNO.	GRID NO.	PARTNO.	GRID NO.	PARTNO.	GRID NO.	PARTNO.	GRID NO.
26A-84143-00	F-4	90149-06184	D-3	90201-06074	F-5	90209-23241	C-8	90445-084J2	E-3	90506-08227	C-14
2HR-84310-40	F-4		D-4	90201-064J1	C-11	90215-06184	B-3	90445-113E8	E-3	90506-18224	E-14
19G-84314-00	F-4		D-5	90201-06557	E-15	90215-14186	C-5	90450-35069	D-12	90508-23567	E-4
3L6-84521-00	F-5	90149-08152	C-6	90201-067P3	C-11	90215-14205	B-5	90450-45075	B-10	90508-26539	C-14
1K8-84523-00	F-5	90151-06013	C-13	90201-076J4	D-3	90215-22259	C-5	90450-78077	D-12	90508-29570	C-14
2E9-84524-00	F-5	90153-06029	B-2	90201-08087	C-10	90240-06076	E-14	90450-99013	D-7	90560-06243	E-15
4BD-8471G-00	F-5	90153-06044	F-8		D-10	90240-12092	D-13	90460-56105	B-10	90560-07007	F-5
4XE-84710-00	F-5	90154-05005	D-3		D-11	90249-12008	E-12	90460-58124	B-10	90560-30325	E-5
52H-84710-00	F-5		D-4	90201-08093	C-14		E-13	90460-85135	D-7		E-6
3GD-84714-00	F-5	90154-05013	D-3	90201-083P5	D-2		E-14	90464-07078	E-9	91A20-07010	B-12
21V-84721-00	F-5	90154-05052	D-3	90201-083P5	D-2		E-14	90464-16025	F-8	91317-06018	B-2
2EK-85111-00	F-9	90159-05011	C-5	90201-08326	B-13	90267-32109	F-10	90464-28153	F-8	91317-06020	B-9
3V6-85130-02	F-9	90170-05362	D-3		D-2		F-11	90464-48174	F-8		B-10
449-85131-02	F-9	90170-06128	B-7		E-15		F-12	90464-48174	D-4		B-10
4BD-85510-20	F-2	90170-06128	B-7	90201-085R5	F-7	90267-63047	D-3	90465-08122	D-9	91317-06025	B-4
21V-85525-01	F-2	90170-08261	C-11	90201-086P8	D-9	90280-03017	B-5	90465-13152	F-8	91317-06035	B-14
4BD-85540-10	F-7	90170-10186	D-14	90201-08609	B-2	90280-05048	B-5	90467-07029	D-9	91317-06085	B-14
4BD-85550-20	F-2	90170-14284	B-5	90201-087G0	B-2	90282-05013	B-5		D-11	91317-06115	B-9
4BD-85580-00	F-2		C-5	90201-08759	D-2	90331-09041	B-5	90467-07093	E-9	91317-06160	B-14
90101-06652	E-8	90170-22371	C-5	90201-101J1	D-9	90336-22056	C-15		E-11	91317-08016	C-4
	E-9	90171-10004	D-14	90201-10430	E-2	90336-28053	D-14	90467-08021	E-9		E-9
	E-10	90171-16048	E-5	90201-10591	B-8	90338-12192	F-6	90467-10008	E-3		E-8
90101-10303	B-8		E-11	90201-107F8	B-5	90338-26136	C-5	90467-14015	B-2		E-9
90101-10568	B-6	90179-06411	E-13	90201-12166	C-4	90338-34069	D-7	90467-22080	B-10	91317-08045	B-2
90101-10666	D-10	90179-08148	F-6	90201-122H1	D-14	90340-14029	C-9	90468-15020	E-9	91401-16012	C-14
90101-12570	E-2	90179-08491	D-9	90201-125F7	C-8	90340-14046	D-11	90468-15139	E-9	91401-20012	E-14
90105-06680	C-9	90179-10540	E-5	90201-12588	C-14		C-2		E-11	91401-20015	C-11
90105-08120	C-15		E-5	90201-127J6	D-13		D-8	90468-16191	D-14		C-12
90105-08195	C-15		E-6	90201-12790	F-7		D-11	90468-20196	D-13		C-12
90105-10253	E-2		E-10	90201-144J2	C-11	90340-14107	C-11	90480-01400	E-3	91401-20020	D-15
90105-10728	E-2	90179-12248	C-8	90201-14633	C-9	90387-066H4	E-3	90480-01556	D-4		E-2
90105-12425	D-13	90179-14541	D-10		D-10	90387-07598	E-3	90480-10068	D-4	91401-30025	D-13
90109-06576	F-6	90179-16651	C-7	90201-147P2	C-11	90387-090R0	D-14	90480-14088	F-5	91401-30030	E-6
90109-06723	F-7	90179-28465	C-7	90201-15700	C-6	90387-1707V	D-7	90480-17507	E-15		E-7
90109-06799	F-6	90179-35625	E-2	90201-15797	E-14	90387-251T0	B-8	90480-18290	E-3		E-11
90114-10010	E-10	90179-50467	C-8	90201-162L6	E-5	90387-255H9	D-8	90480-25461	D-3	91401-40030	E-14
90114-10012	E-5	90179-55464	C-7		E-6	90387-257R3	D-10	90501-04596	C-4	91809-30010	E-13
	E-6	90183-05042	D-7		E-11	90387-281V8	E-5	90501-101A5	C-8	92017-06012	B-2
	E-11	90185-10060	E-2	90201-225M9	D-12		E-6	90501-101A7	C-11	92017-08014	C-15
90116-08360	D-8	90185-12072	E-2	90201-25290	C-4	90413-05014	E-9	90501-10245	E-14		D-2
90119-06060	D-4	90185-12080	D-13	90201-266F6	C-5	90430-06014	B-2	90501-103A1	C-11	92502-06008	B-12
90119-06073	E-3	90185-14070	D-14	90201-404M6	C-5	90430-10148	F-7	90501-10782	E-13	92901-04100	F-2
90119-06096	B-10	90201-03313	C-9	90202-05193	E-3	90430-12186	B-2	90501-122E1	E-12	92901-05100	F-2
90119-06108	D-3		F-10	90202-08175	E-12	90445-07040	E-9	90501-123A0	E-13	92902-03100	B-11
90119-06205	D-4		F-11	90202-14077	F-5	90445-073E3	D-9	90501-16768	C-14	92902-04100	B-12
90119-08212	D-3		F-12	90206-06090	B-13	90445-073H2	E-11	90501-18576	B-9	92907-03100	B-11
90123-08046	F-6	90201-05029	D-3	90209-06265	E-13	90445-07665	D-11	90501-234F8	D-12	92907-03600	E-13
90149-06011	E-3	90201-060L5	E-3	90209-17285	C-6		E-9	90501-243J7	C-5	92907-04100	B-12
				90209-18208	C-6	90445-083F2	F-8	90501-605E1	C-10	92907-04600	F-4

M3

NUMERICAL INDEX

PARTNO.	GRID NO.	PARTNO.	GRID NO.	PARTNO.	GRID NO.	PARTNO.	GRID NO.	PARTNO.	GRID NO.	PARTNO.	GRID NO.
92907-05100	E-12	93210-07590	C-14	93306-30527	D-8	95027-08008	B-13	95817-08065	C-15	98507-06016	F-7
	F-9	93210-09165	B-7	93306-30551	C-9	95027-08025	B-8	95817-08080	C-15	98507-06020	B-2
92907-05200	F-9		C-9	93306-30611	B-5	95027-08030	C-9	95817-10022	E-14		C-3
92907-05600	E-13	93210-10010	C-11	93310-530J3	B-5	95027-08035	C-9	95817-10025	D-2		F-6
92907-06100	E-4	93210-12131	E-5	93311-21044	D-9	95027-08012	C-9	95827-06012	C-15	98507-06025	B-15
	F-3		E-6	93315-23607	C-13		D-10		E-7	98507-06030	B-14
	F-5		E-11	93316-00404	C-9	95027-08025	B-13	95827-06016	C-15	98507-06040	B-14
	F-6	93210-13361	B-4	93316-00602	C-9	95307-05600	F-9		E-15		B-15
	F-7	93210-14104	E-8	93316-01301	D-8	95307-05700	E-12	95827-06035	E-15	98507-06060	B-14
92907-06200	C-11		E-10	93317-85569	D-8	95307-06700	F-7	95827-08012	E-15		B-15
	C-12	93210-14359	D-10	93332-00024	D-10	95307-06800	F-5	95827-08016	E-14	98507-06070	B-15
	D-4	93210-16290	B-6	93332-00066	D-10	95307-08700	C-14		E-15	98507-06075	B-14
	E-14	93210-17718	D-7	93332-00080	D-7	95307-10700	D-14	95827-08020	E-15	98507-06080	B-15
92907-06600	B-8	93210-19123	B-15	93399-99926	D-11	95317-08600	C-11	95827-08050	D-14	98507-06085	B-14
	F-2	93210-26606	E-5		D-12	95337-10600	E-2	95827-10025	D-9	98512-06012	E-8
	F-7		E-6	93410-20038	C-6	95607-05100	E-12	97007-06008	B-13	98707-05016	B-15
92907-08600	C-8		E-11	93410-22039	C-6	95607-06100	D-3	97007-06012	B-2	98707-06018	C-2
	C-14	93210-347A1	B-9		D-9		D-4	97007-06016	E-4	98707-06030	B-9
	D-9	93210-35537	B-10		D-12		D-5	97007-06020	F-7	98907-05014	D-3
	D-10	93210-54175	B-9	93410-26067	C-6		F-6	97017-06020	C-14	98907-06014	B-15
	D-11	93210-56589	C-8	93410-32075	E-2	95607-08200	C-15	97017-08045	D-2	98907-06020	F-7
92907-10100	B-5	93210-57634	B-2	93420-28055	C-5	95617-12100	E-2	97027-06016	B-8	99001-06600	E-13
92907-10600	D-9	93210-59531	D-9	93440-10085	B-2	95701-06500	E-8	97027-06025	F-6	99009-12400	C-4
	D-11	93210-626A7	D-10	93440-20088	D-9		E-9	97027-08025	D-9	99009-14400	C-8
92990-10600	D-14	93210-65721	C-8		D-12		E-10		D-11	99009-26400	B-6
93101-15101	C-6	93210-72529	B-4	93450-17044	B-5	95702-06100	C-3	97027-08045	D-10	99530-08016	C-9
93101-17113	B-15	93210-85075	D-9	93450-22119	E-5	95707-05300	D-3	97027-08055	C-8	99530-10014	B-14
93101-30084	C-9	93210-92448	B-2		E-6		D-4	97027-08060	D-14	99530-12016	B-14
93101-35097	E-10	93211-05471	B-2	93501-04004	C-8	95707-06500	B-10	97027-10025	D-9		B-15
93101-38098	D-9	93211-44348	D-9	93501-04011	C-8		C-11	97027-10045	D-11	99530-14016	B-2
93101-52116	D-8	93211-51749	D-11	93509-32012	C-11		E-15	97707-40510	F-4		B-4
93102-12106	C-14	93306-00006	C-5	93603-12030	B-9	95707-06600	D-4	97707-50012	D-6		
93102-14209	C-9	93306-00401	C-9	93604-10011	B-8	95707-08500	D-11	97801-03008	E-3		
93102-25017	D-7	93306-00612	C-7	93604-16092	C-13		E-14	98501-04006	F-2		
93102-25081	C-15	93306-00615	E-5	93604-20156	C-13	95807-06010	E-15	98501-04008	F-2		
93102-25099	C-15		E-6	93608-30152	C-14	95807-06012	D-3	98501-05010	F-2		
93102-35380	D-11	93306-00804	E-10	93612-16254	B-2		D-4	98501-05025	F-2		
93102-65386	D-8	93306-07801	B-15	93615-12088	C-4		D-5	98502-03008	B-11		
93103-28141	B-15		C-7	93900-00022	E-5	95807-08012	D-7	98502-04014	B-12		
93104-09025	E-12	93306-20201	C-6		E-6	95812-06012	E-8	98507-03008	B-11		
93105-35027	C-9	93306-20313	B-15		E-10		E-10		E-13		
93105-35028	D-10	93306-20331	C-15	94108-1002G	E-5	95817-08012	C-15	98507-04014	B-12		
93106-38046	E-5	93306-20401	C-6		E-6	95817-08016	D-2	98507-05012	E-12		
	E-6	93306-20531	E-10	94110-1002H	E-10		E-14	98507-05016	B-10		
	E-5	93306-20717	D-11	94580-41104	B-8		E-15		E-13		
	E-6	93306-30305	C-8	94701-00178	B-3	95817-08020	B-13	98507-05020	E-12		
93106-42038	E-10	93306-30427	B-5	94701-00189	B-3		E-11	98507-06016	F-2		
93112-31011	D-14	93306-30432	C-7	94701-00345	B-3	95817-08055	C-15		F-3		